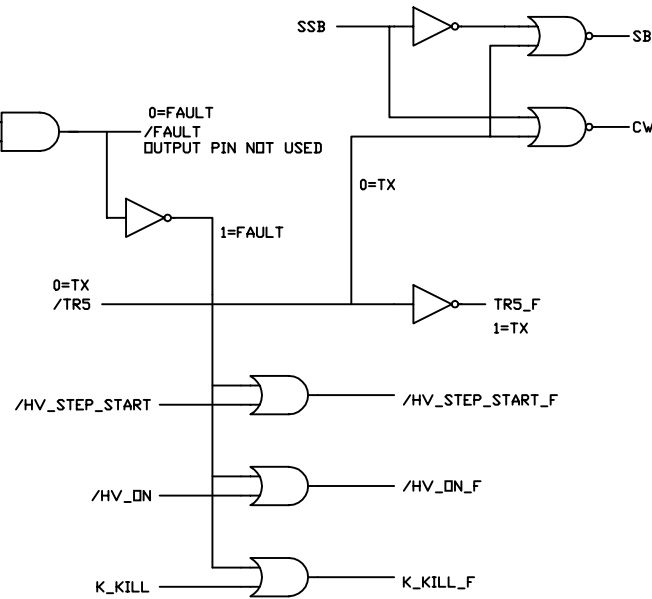
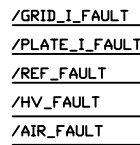
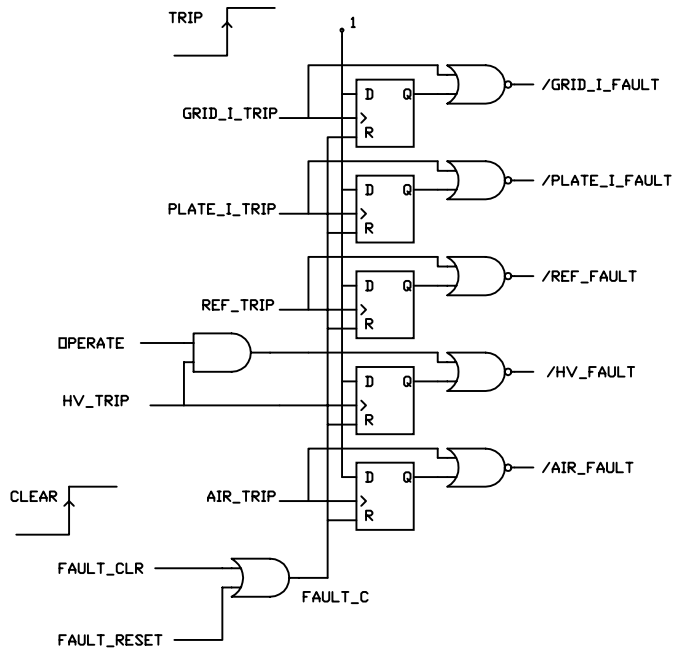
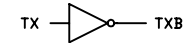
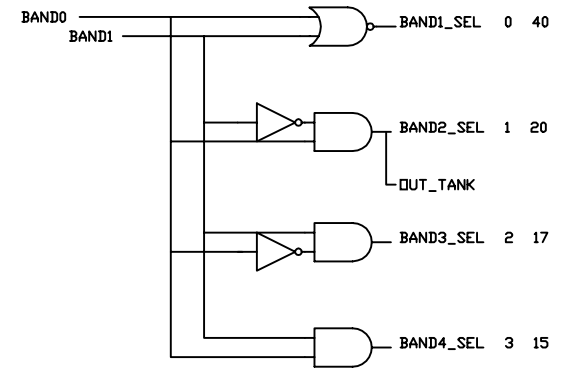
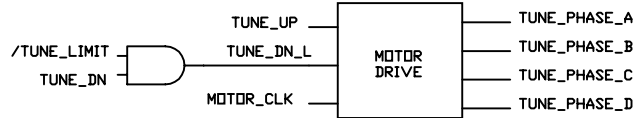
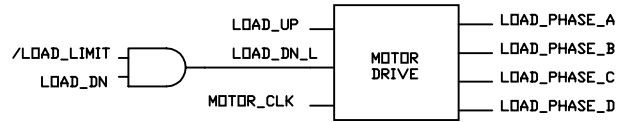
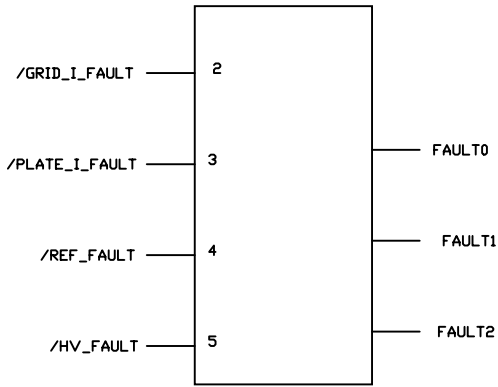


NO FAULT = 1
 MULTIPLE FAULTS = 0

ALL FAULTS EXCEPT
 AIR VALID ONLY
 IN OPERATE



TOLERANCES		SCALE	DO NOT SCALE	FINISH	DRAWN BY	DATE			
		1-1			23 NOV 01				
MATERIAL					CHECKED BY	DATE			
TITLE YC156 AMP CPLD						DWG SZ A	SHEET 1 OF 1	DRAWING NUMBER YC CPLD1.DWG	REV