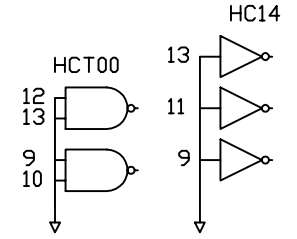
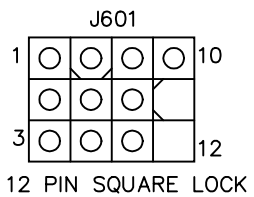
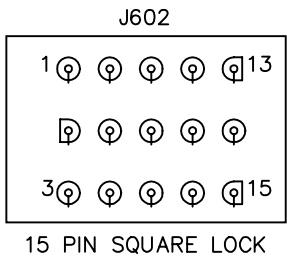
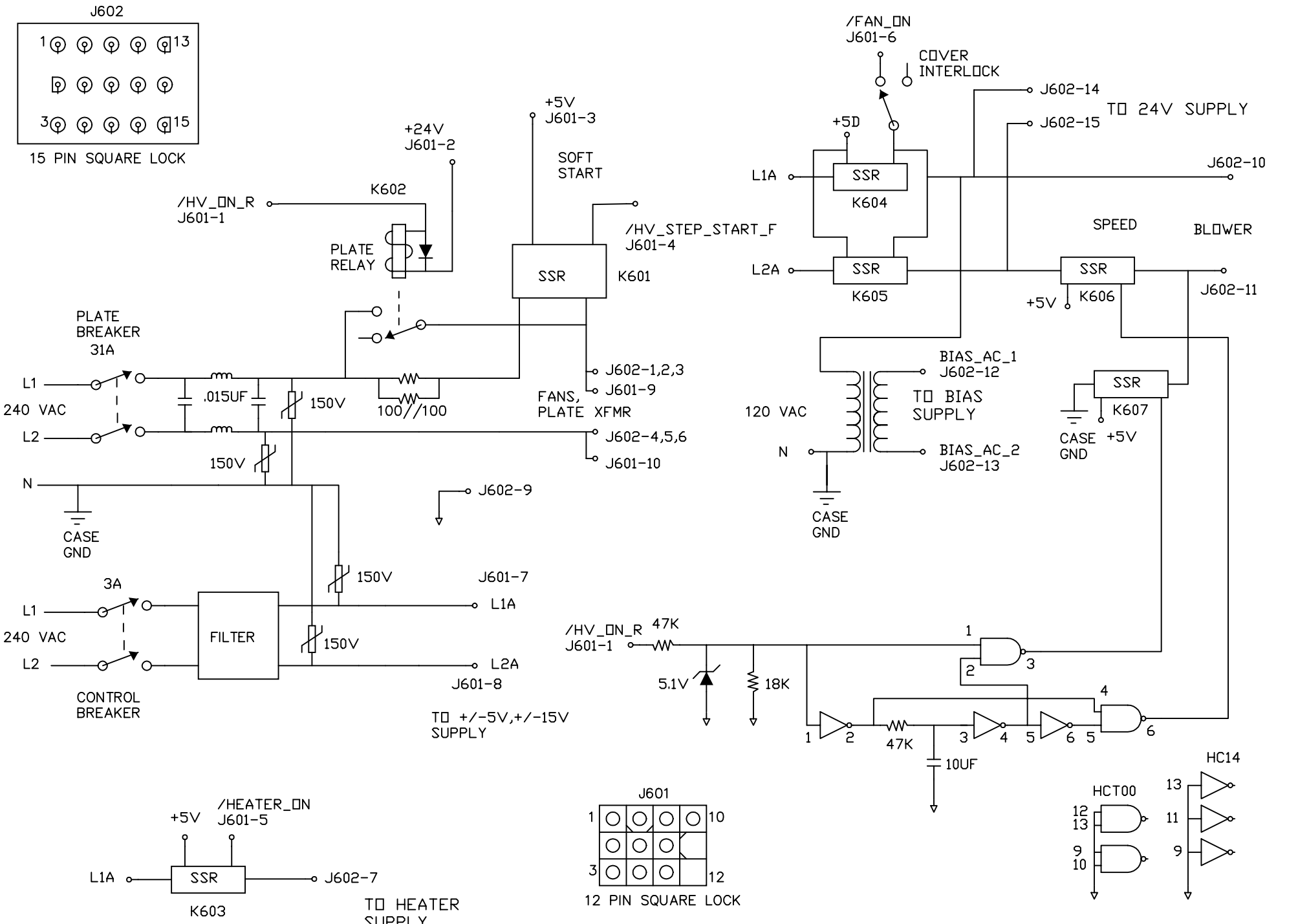
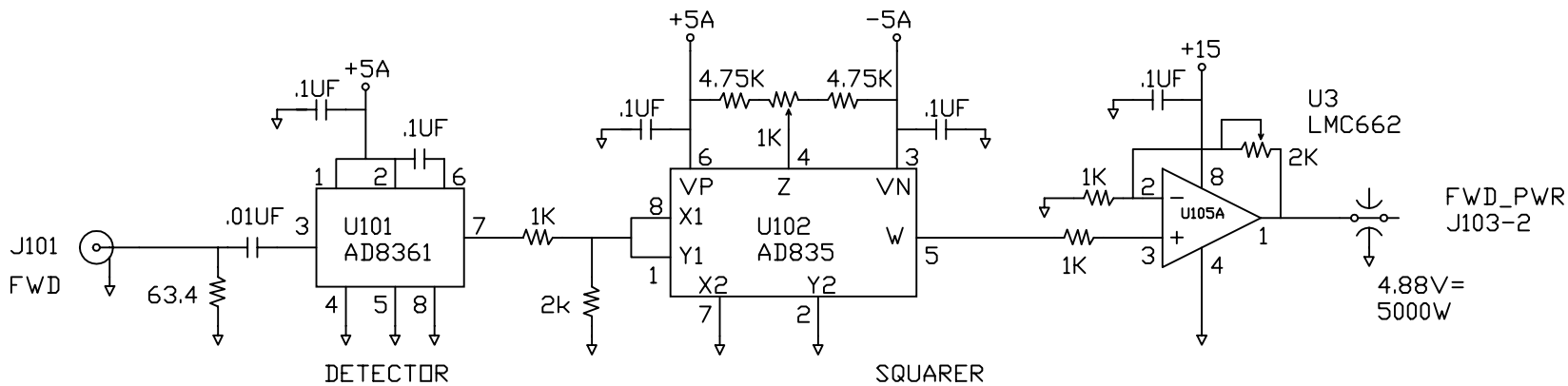


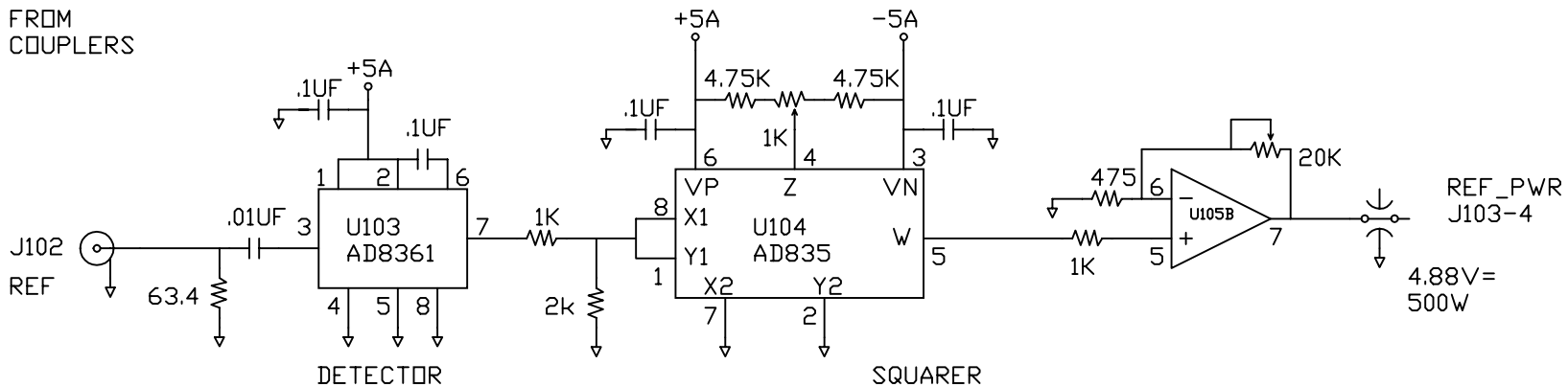
TOLERANCES	SCALE 1-1	DO NOT SCALE	FINISH	DRAWN BY 12 JAN 02	DATE
	MATERIAL			CHECKED BY	DATE
TITLE YC156 AMP SYSTEM INTERCONNECT				DWG SZ A	SHEET 1 OF 1
				DRAWING NUMBER SYSTEM CCONNECT.DWG	REV



TOLERANCES		SCALE	DO NOT	FINISH	DRAWN BY	DATE				
		1-1	SCALE		24	OCT 01				
		MATERIAL			CHECKED BY	DATE				
TITLE YC156 AMP AC MODULE							DWG SZ	SHEET	DRAWING NUMBER	REV
							A	1 OF 1	AC MODULE SCH	DWG

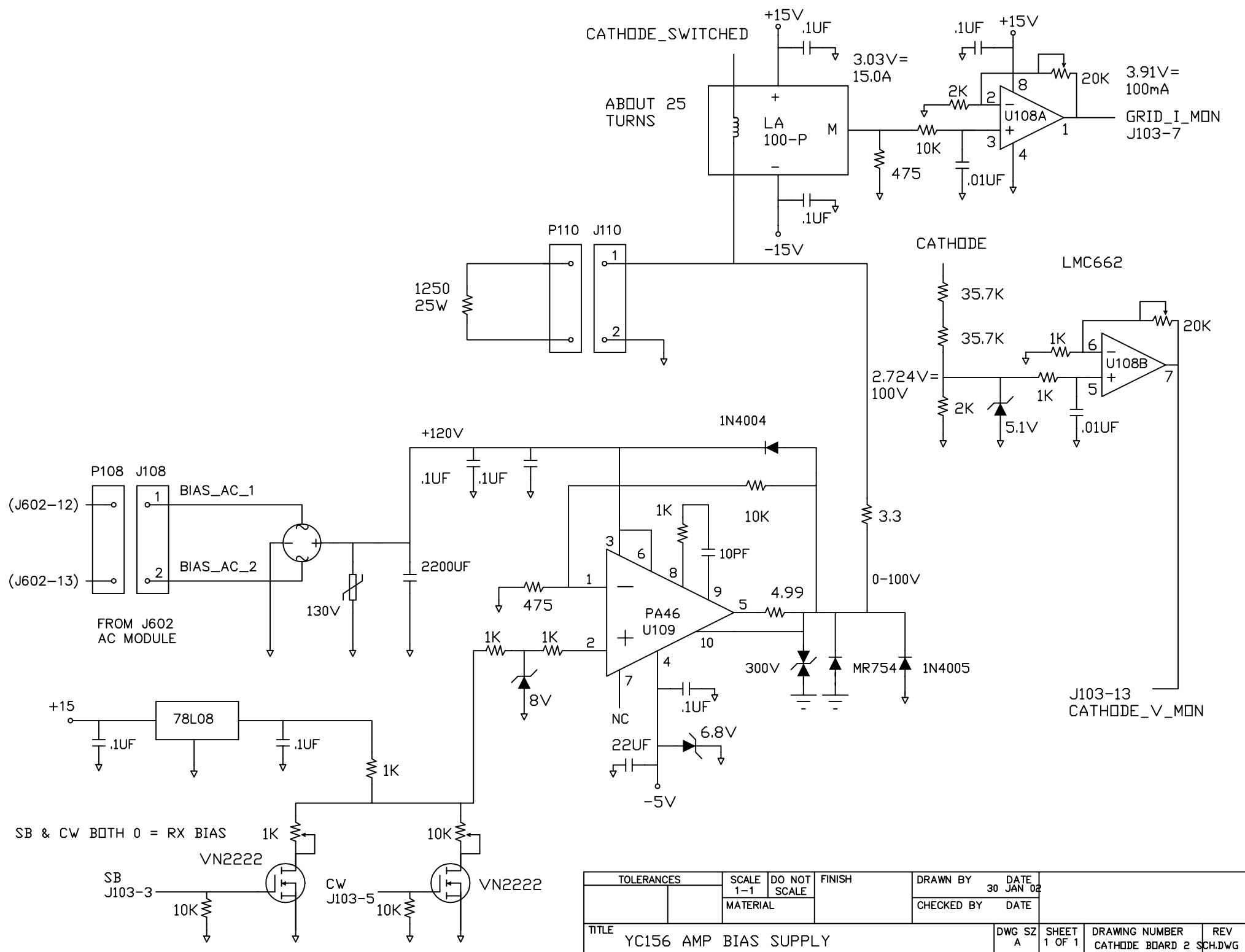


FROM
COUPLERS

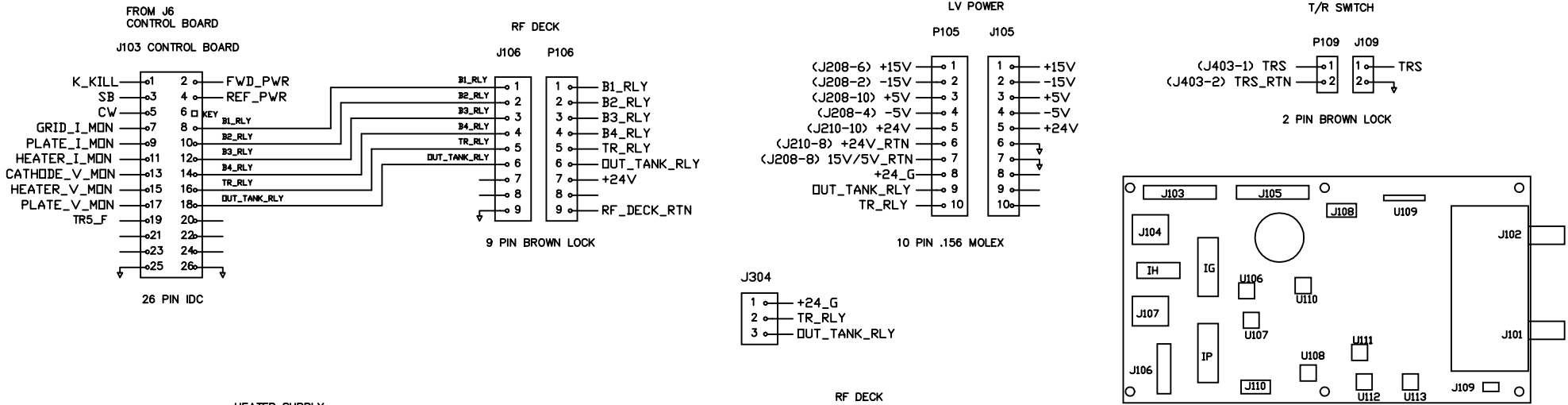


SHIELD BOX

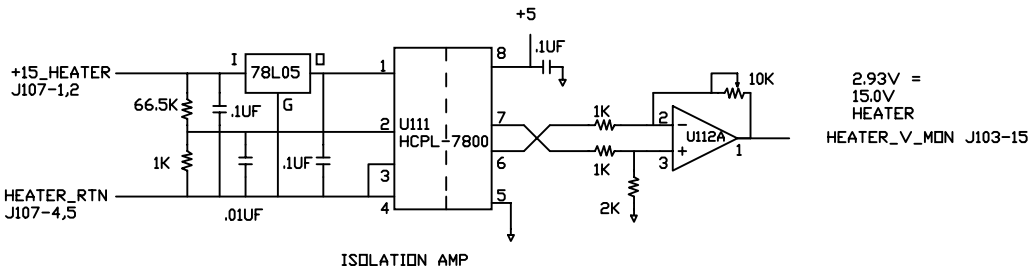
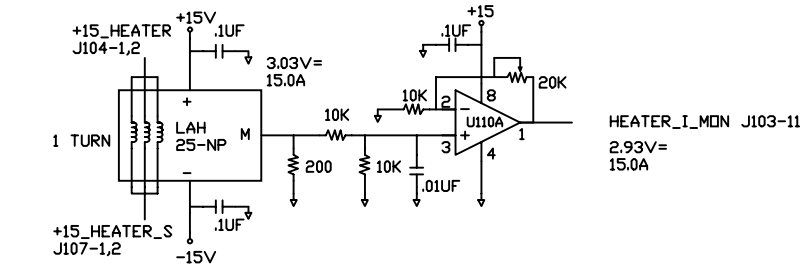
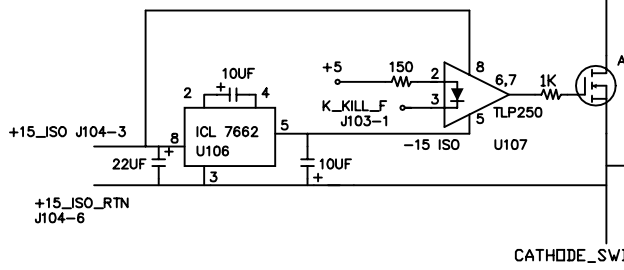
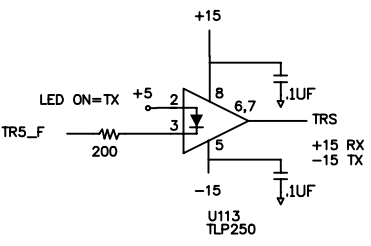
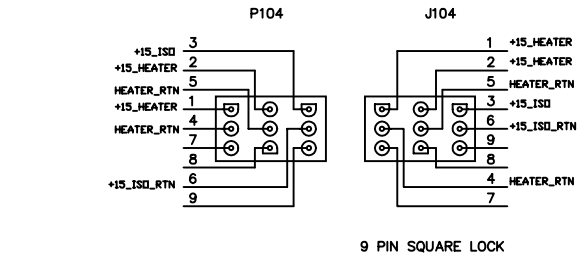
TOLERANCES	SCALE 1-1	DO NOT SCALE	FINISH	DRAWN BY	DATE 03 MAR 01
	MATERIAL			CHECKED BY	DATE
TITLE YC156 AMP FWD, REF RF DETECTORS				DWG SZ A	SHEET 1 OF 1
				DRAWING NUMBER CATHODE BOARD 1	REV SCH.DWG



TOLERANCES	SCALE 1-1	DO NOT SCALE	FINISH	DRAWN BY	DATE 30 JAN 02
	MATERIAL			CHECKED BY	DATE
TITLE YC156 AMP BIAS SUPPLY				DWG SZ A	SHEET 1 OF 1
				DRAWING NUMBER CATHODE BOARD 2	REV SCH.DWG

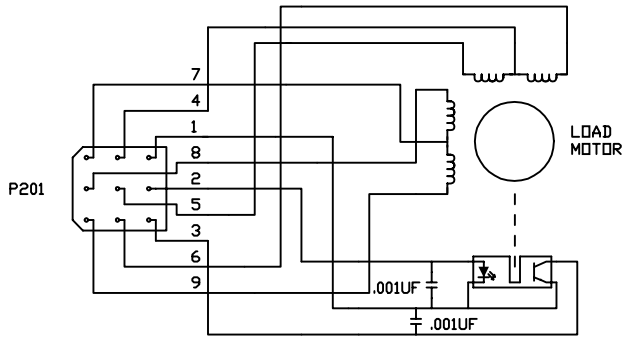


HEATER SUPPLY

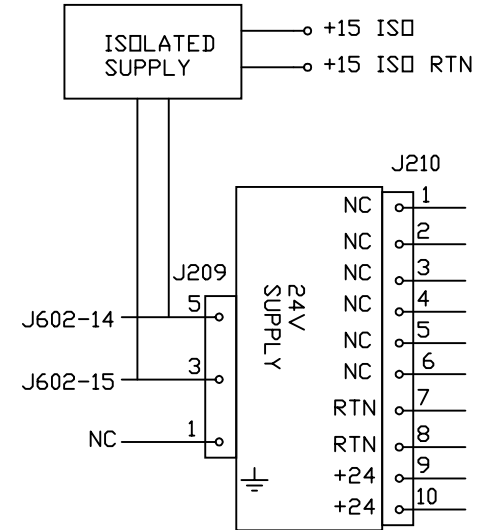
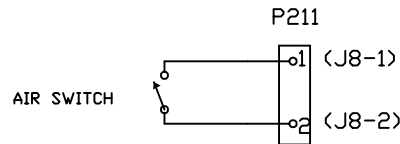
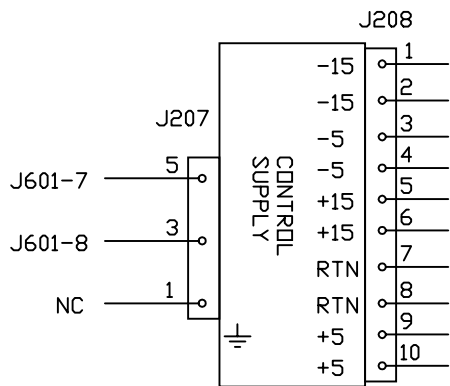
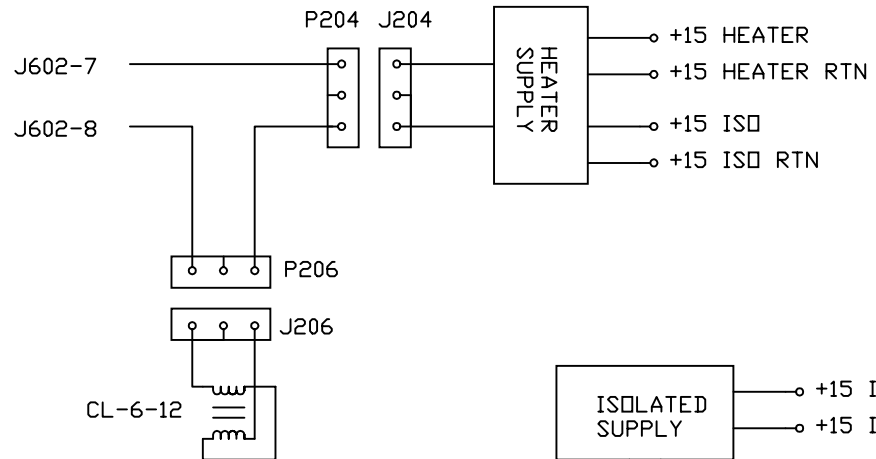
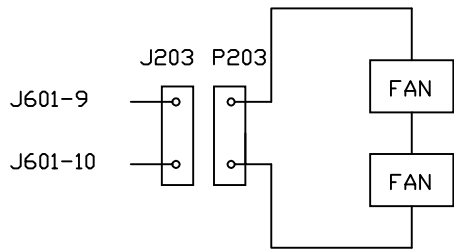
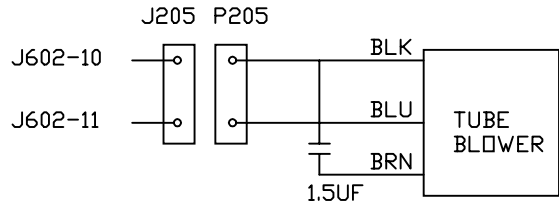
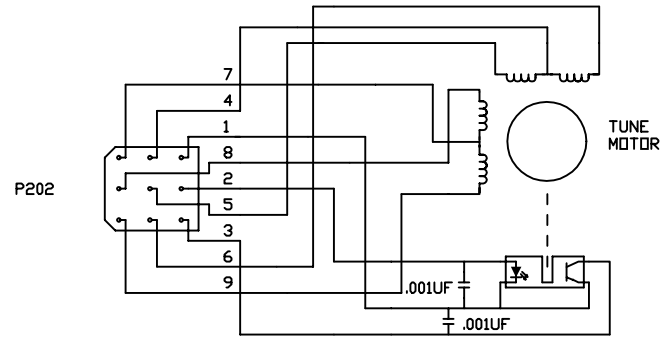


TOLERANCES	SCALE 1-1	DO NOT SCALE	FINISH	DRAWN BY	DATE
	MATERIAL			30	JAN 02
TITLE				CHECKED BY	DATE
YC156 AMP PLATE,HEATER METERING					
DWG SZ	SHEET	DRAWING NUMBER	REV		
A	1 OF 1	CATHODE BOARD 3	SCH.DWG		

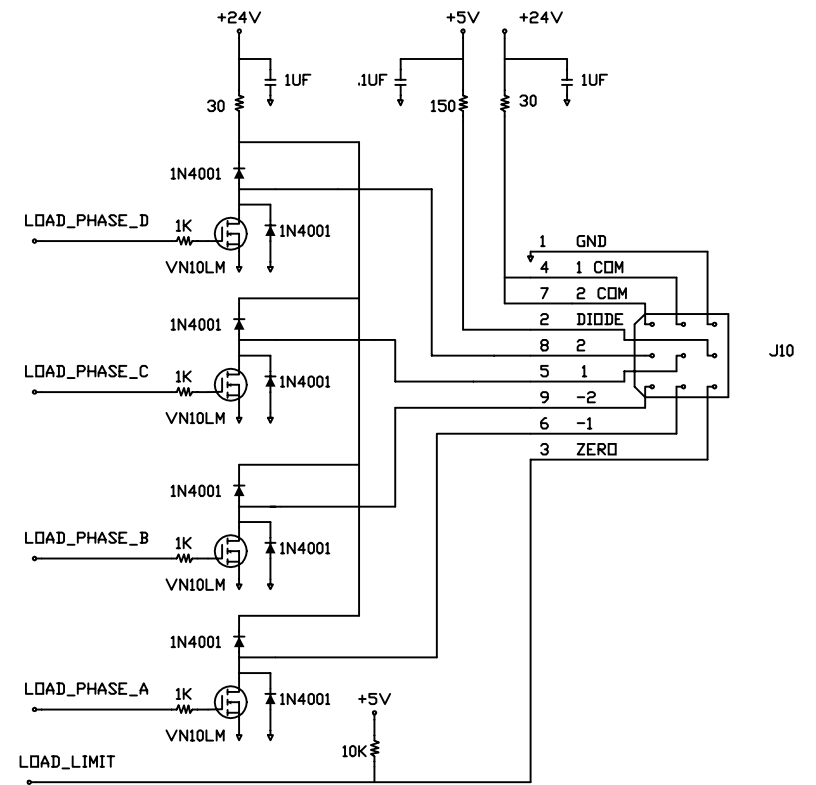
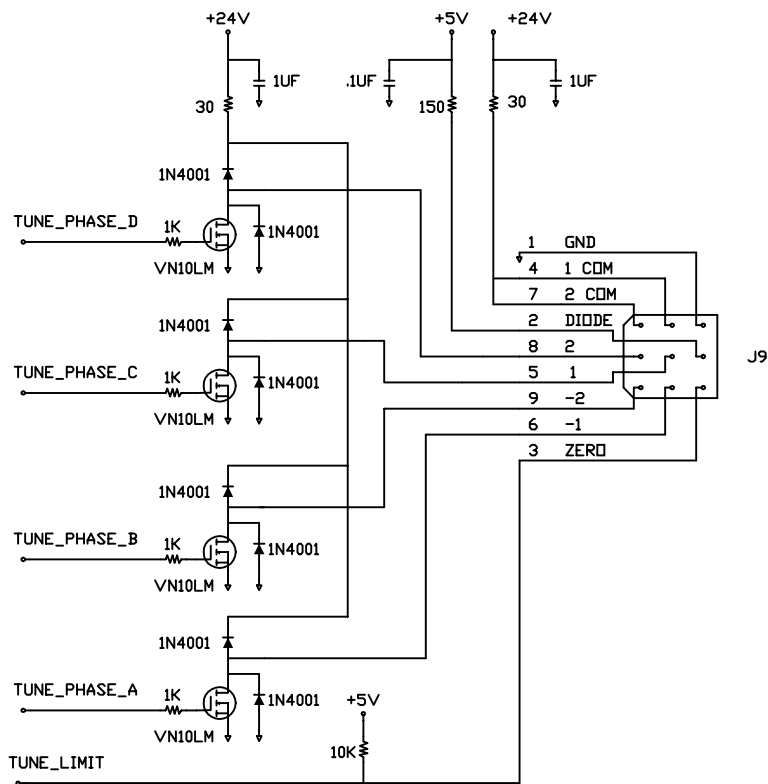
- 1 BRN
- 2 VID
- 3 DRG
- 4 BLK
- 5 RED
- 6 WHT-RED
- 7 WHT
- 8 GRN
- 9 WHT-GRN



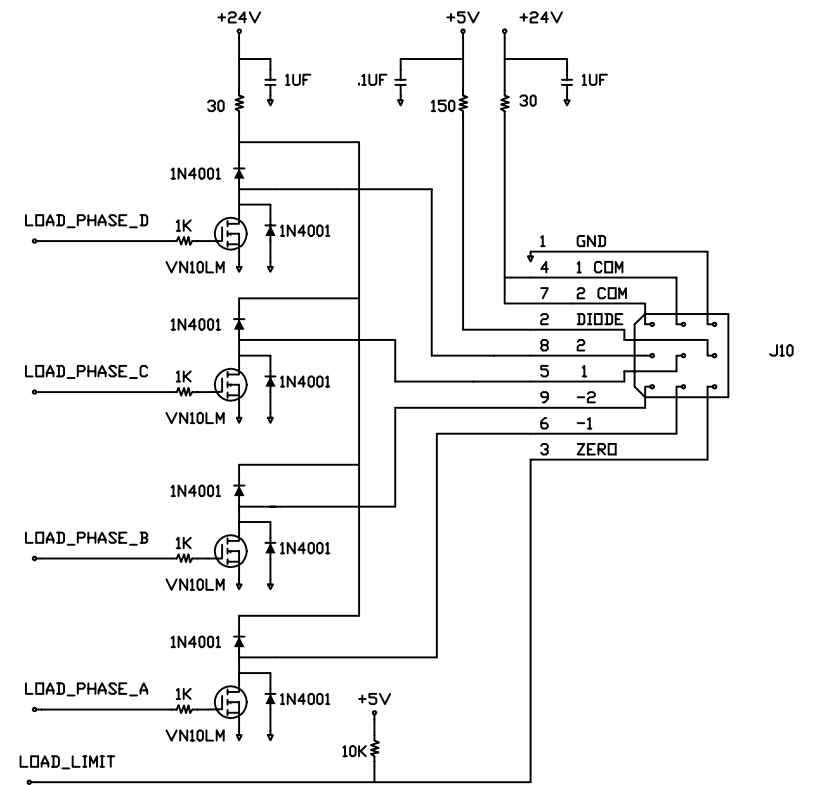
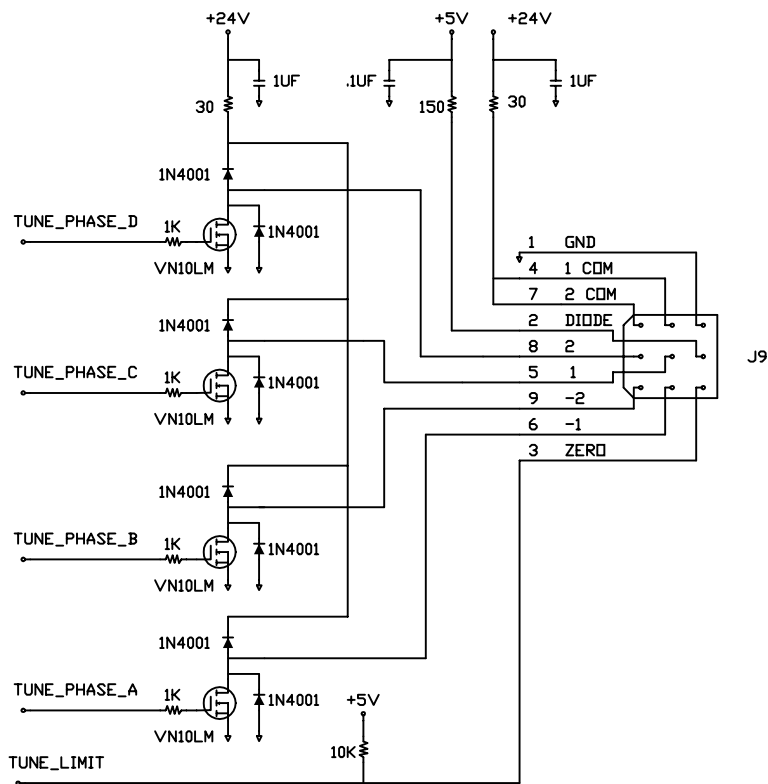
- 1 BRN
- 2 VID
- 3 DRG
- 4 BLK
- 5 RED
- 6 WHT-RED
- 7 WHT
- 8 GRN
- 9 WHT-GRN



TOLERANCES	SCALE 1-1	DO NOT SCALE	FINISH	DRAWN BY	DATE 12 JAN 02			
	MATERIAL			CHECKED BY	DATE			
TITLE YC156 AMP CHASSIS MOUNTED PARTS				DWG SZ A	SHEET 1 OF 1	DRAWING NUMBER CHASSIS SCH.DWG	REV	

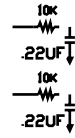


TOLERANCES	SCALE 1-1	DO NOT SCALE	FINISH	DRAWN BY	DATE 10 MAY 01			
	MATERIAL			CHECKED BY	DATE			
TITLE YC156 AMP MOTOR DRIVERS				DWG SZ A	SHEET 1 OF 1	DRAWING NUMBER CONTROL BOARD 3	REV SCH.DWG	



TOLERANCES	SCALE 1-1	DO NOT SCALE	FINISH	DRAWN BY	DATE 10 MAY 01			
	MATERIAL			CHECKED BY	DATE			
TITLE YC156 AMP MOTOR DRIVERS				DWG SZ A	SHEET 1 OF 1	DRAWING NUMBER CONTROL BOARD 3	REV SCH.DWG	

—



I=TRIP

+

⊕

|| ⊕

⊕

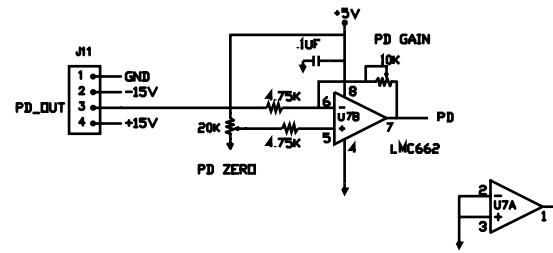
⊕

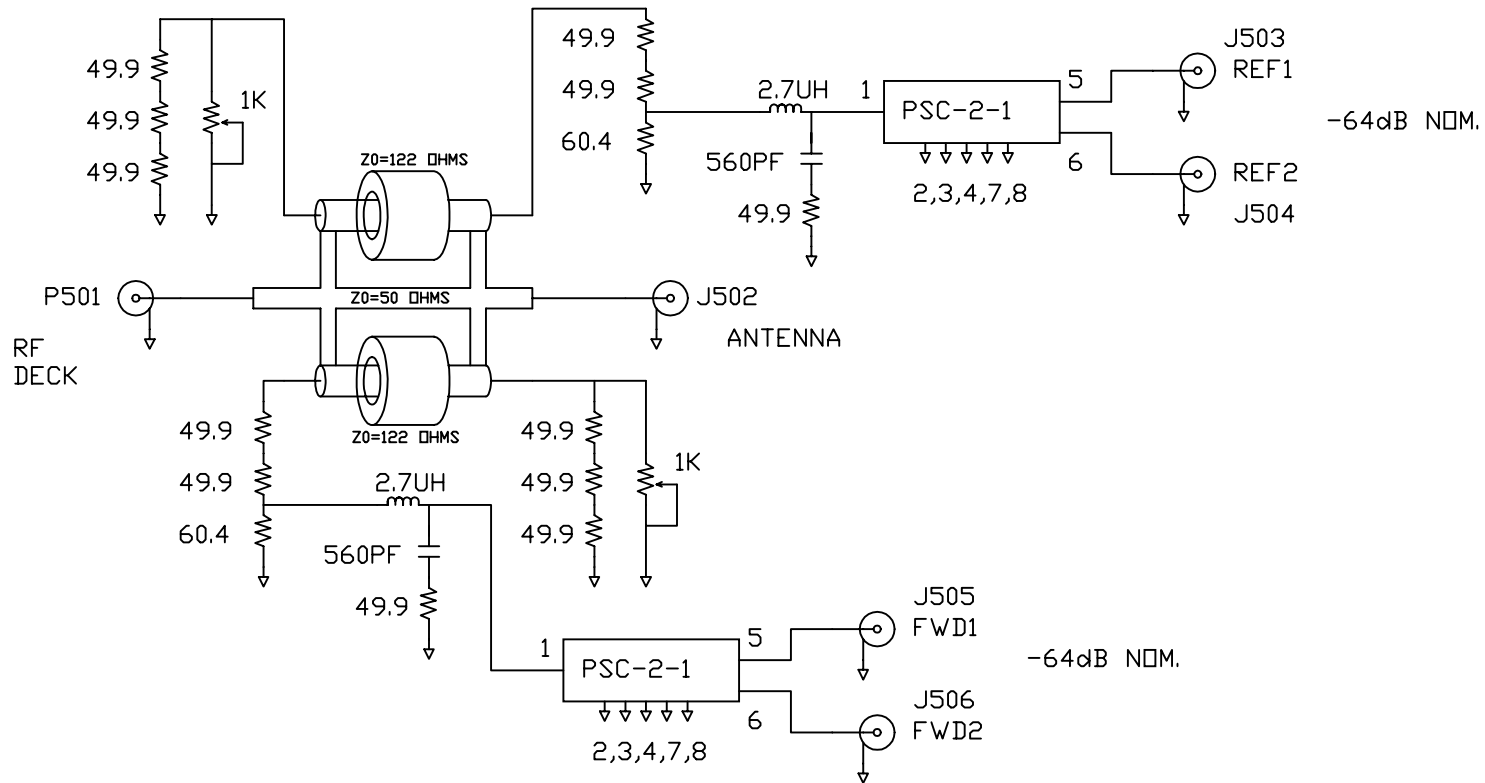
⊕



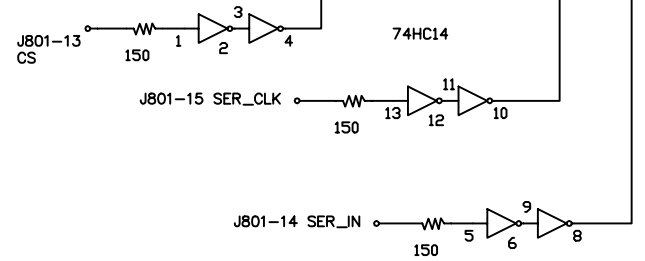
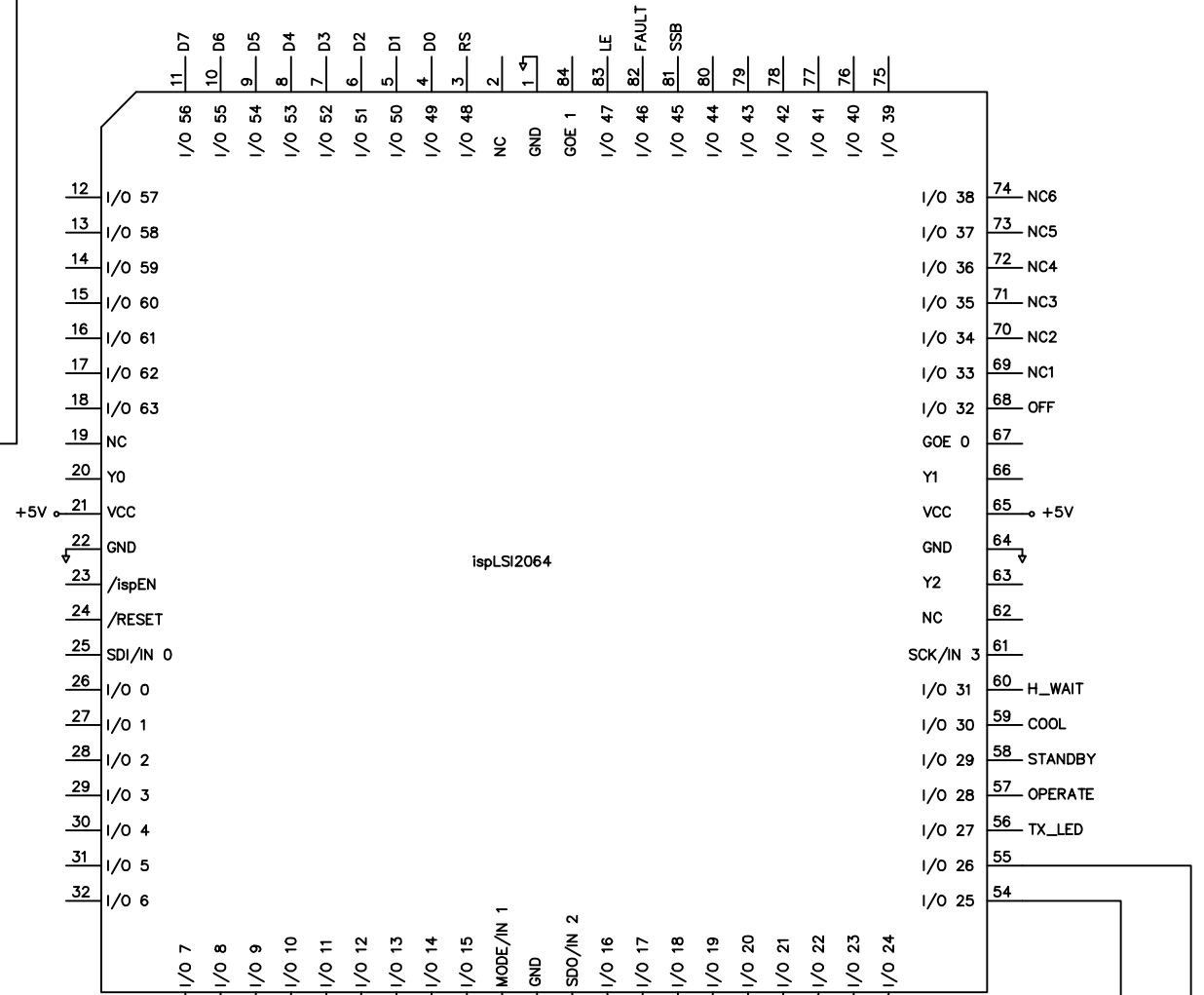
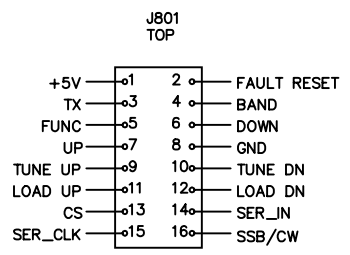
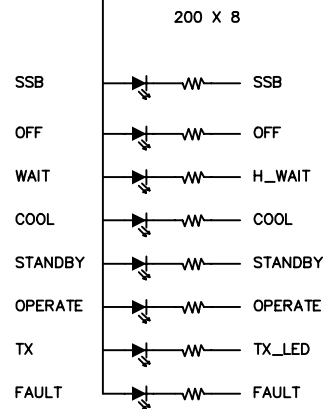
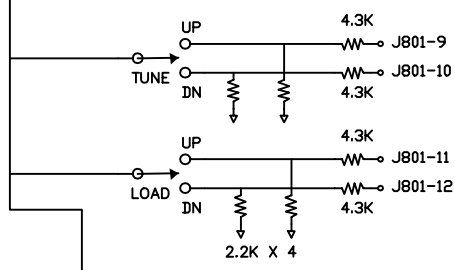
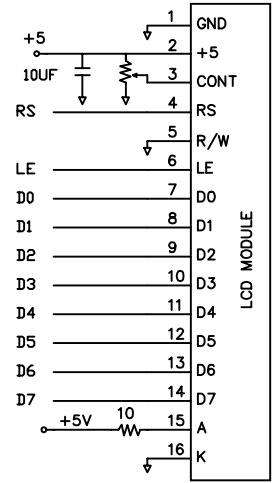
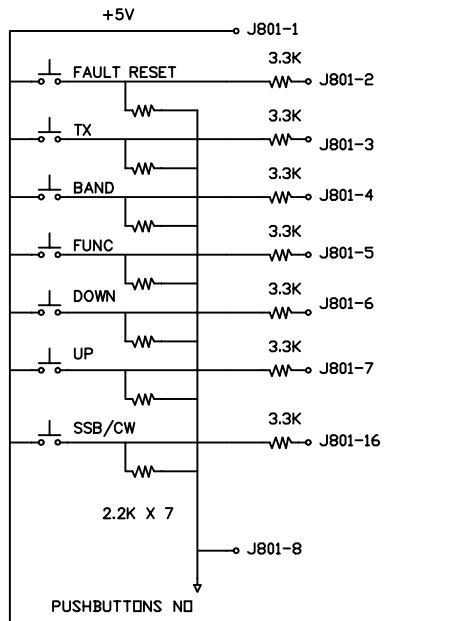
—||—
3.92K

—||—
3.92K

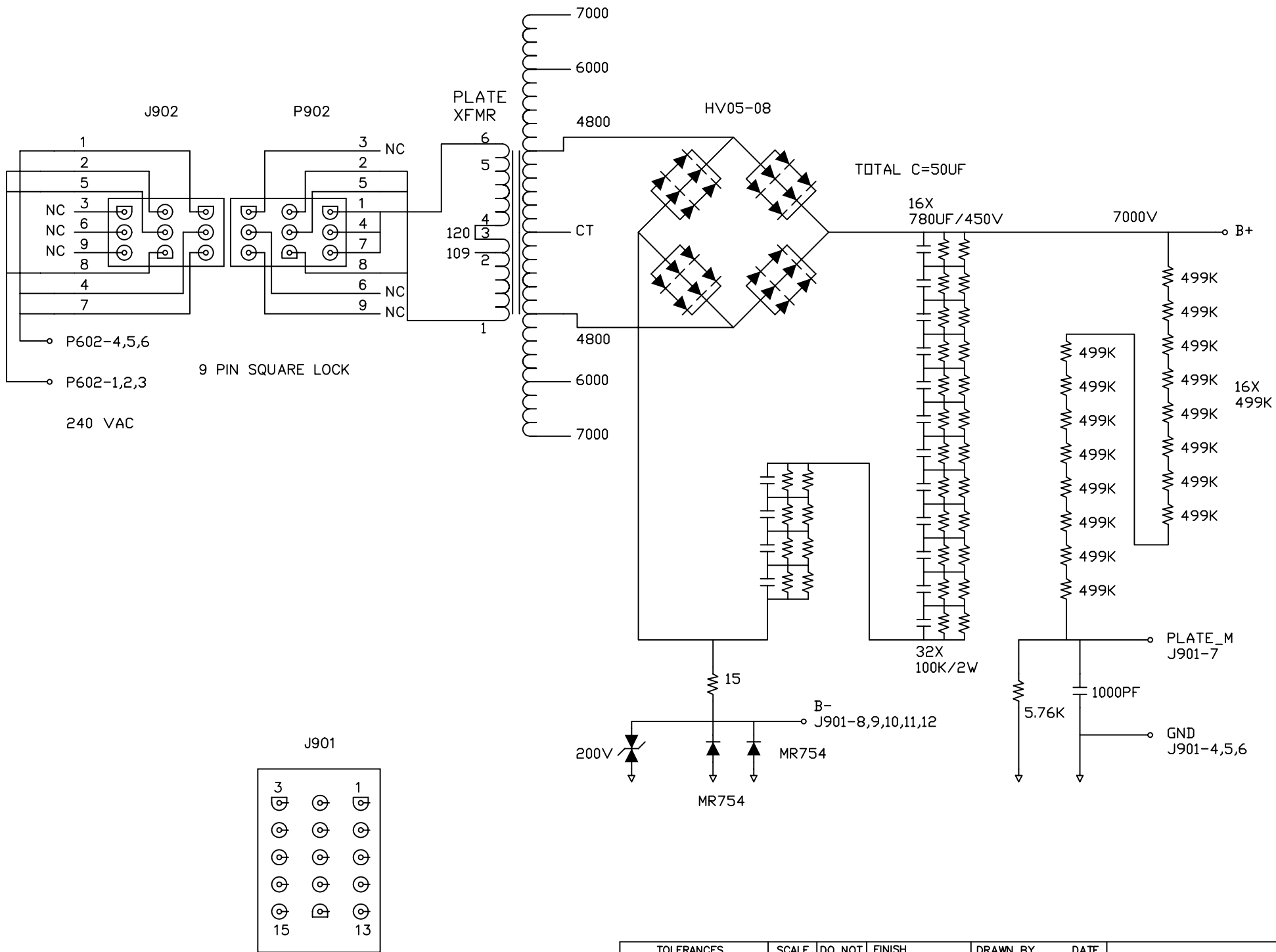




TOLERANCES		SCALE 1-1	DO NOT SCALE	FINISH	DRAWN BY	DATE 30 DEC 02				
		MATERIAL			CHECKED BY	DATE				
TITLE YC156 AMP DIRECTIONAL COUPLERS							DWG SZ A	SHEET 1 OF 1	DRAWING NUMBER COUPLER MODULE SCH.DWG	REV

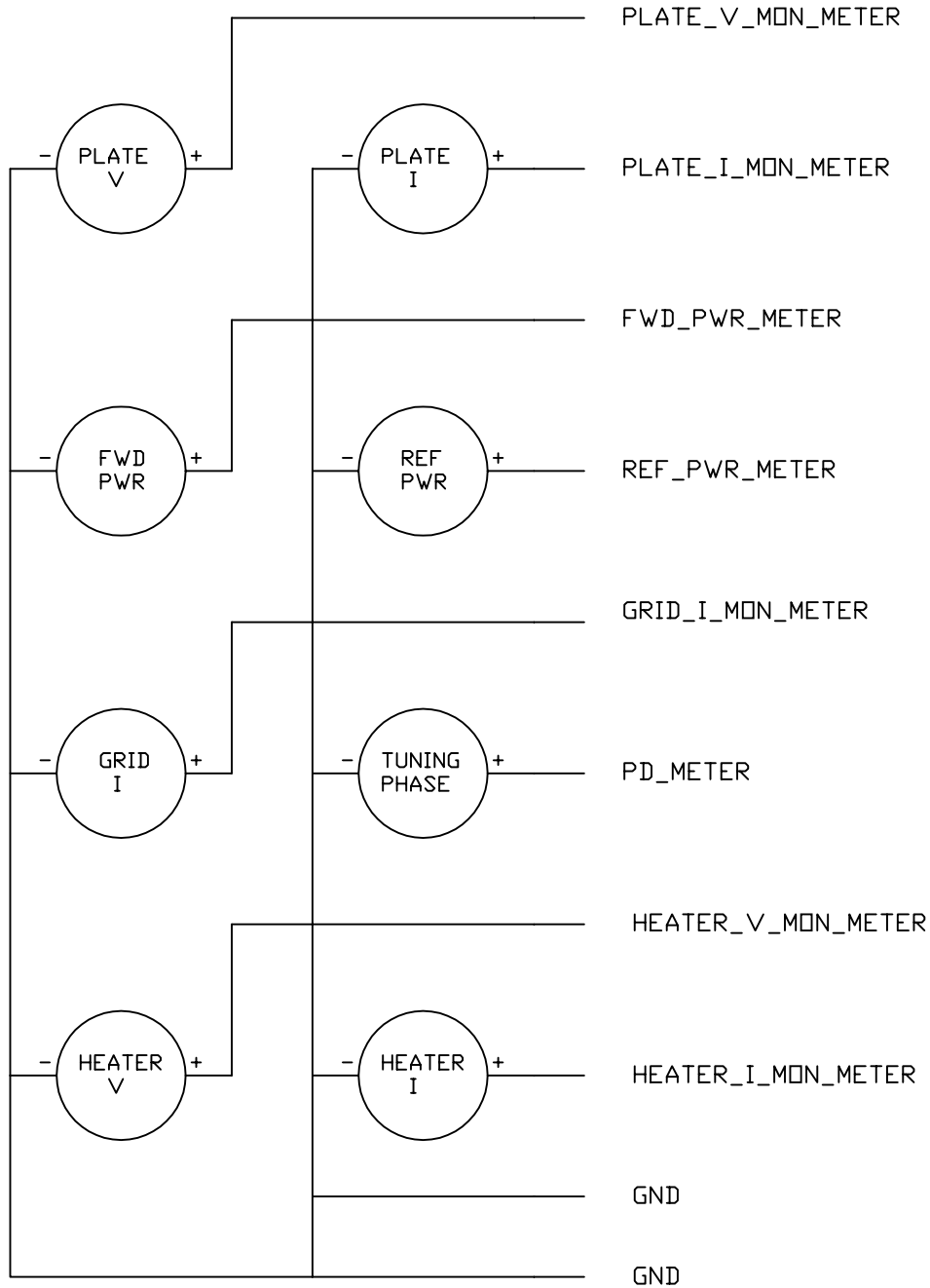


TOLERANCES	SCALE 1-1	DO NOT SCALE	FINISH	DRAWN BY 06 MAY 01	DATE
	MATERIAL			CHECKED BY	DATE
TITLE YC156 AMP DISPLAY BOARD				DWG SZ A	SHEET 1 OF 1
				DRAWING NUMBER	REV



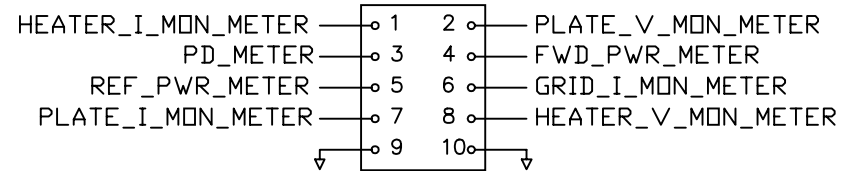
15 PIN SQUARE LOCK

TOLERANCES	SCALE 1-1	DO NOT SCALE	FINISH	DRAWN BY 25 AUG 01	DATE
	MATERIAL			CHECKED BY	DATE
TITLE YC156 AMP HVPS MODULE				DWG SZ A	SHEET 1 OF 1
				DRAWING NUMBER HVPS MODULE SCH.DWG	REV

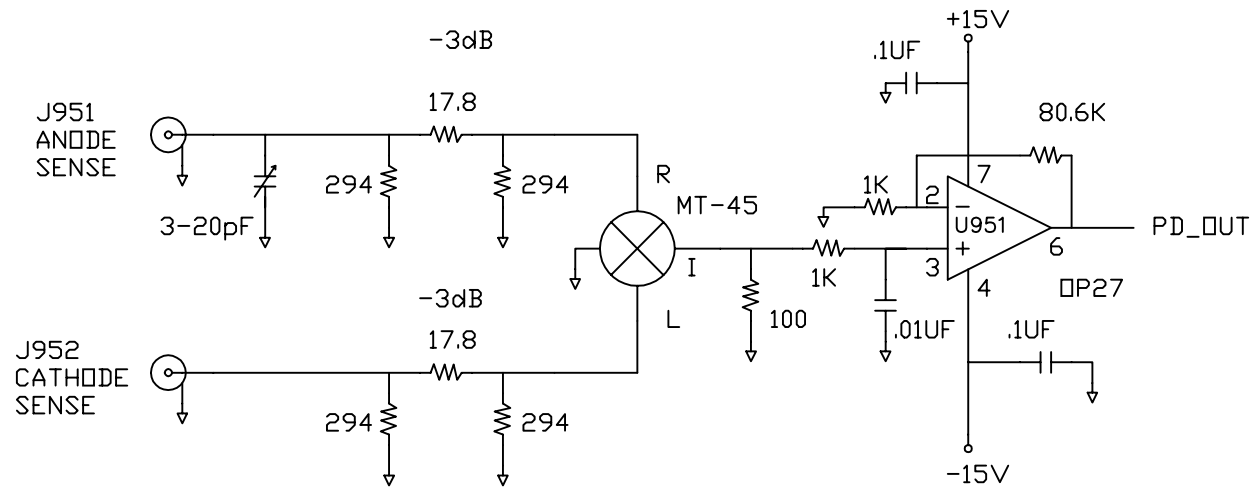


METERS 1mA FS

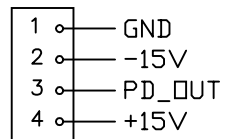
J701
TOP



TOLERANCES		SCALE 1-1	DO NOT SCALE	FINISH	DRAWN BY	DATE				
		MATERIAL				15 DEC 01				
					CHECKED BY	DATE				
TITLE YC156 AMP METER BOARD							DWG SZ A	SHEET 1 OF 1	DRAWING NUMBER YC METER BOARD SCH	REV DWG

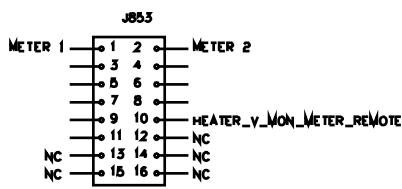
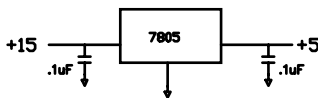
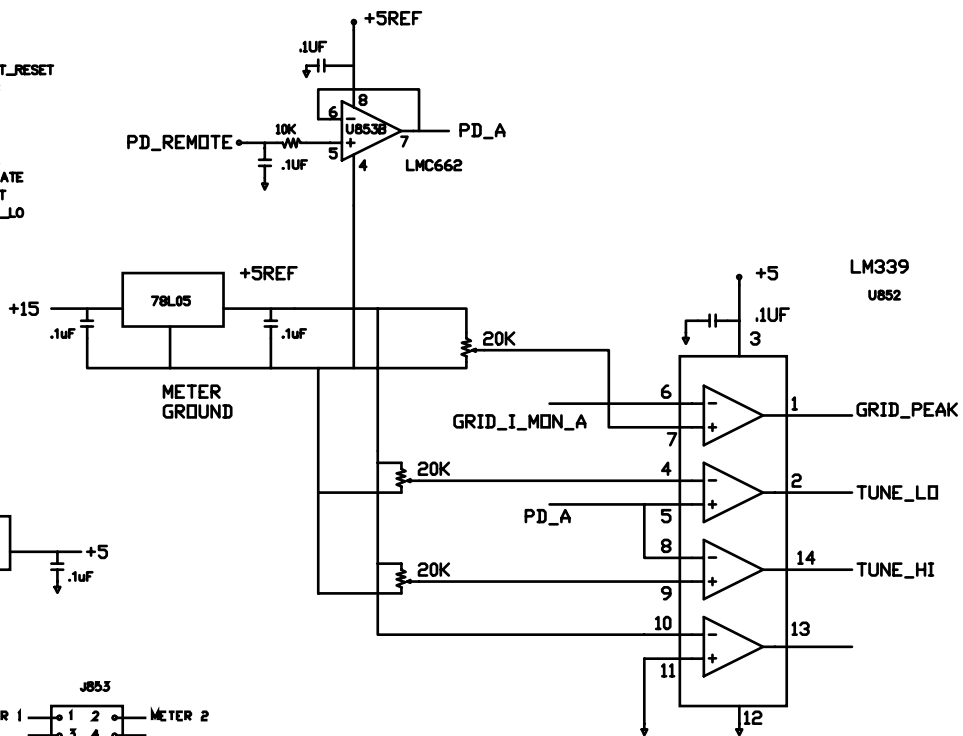
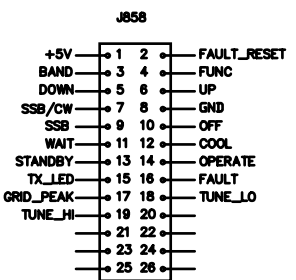
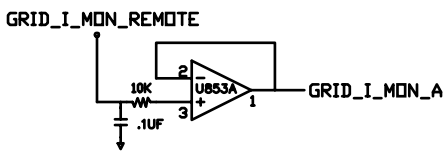
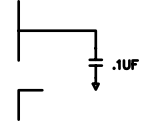
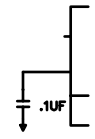
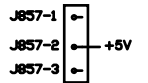
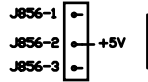
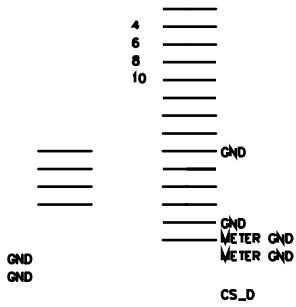


P951



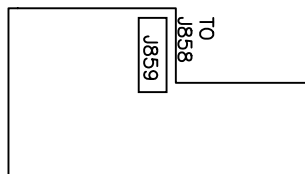
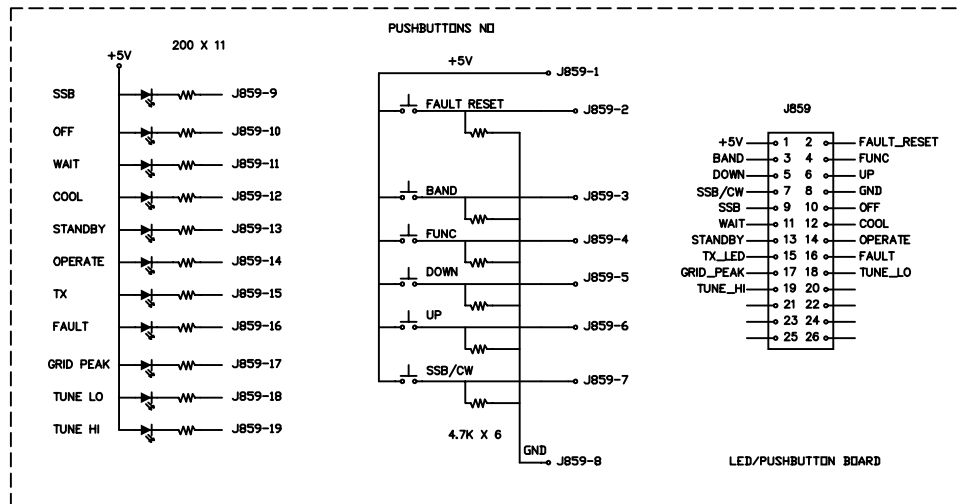
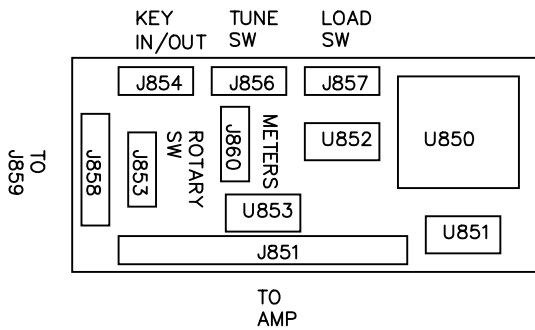
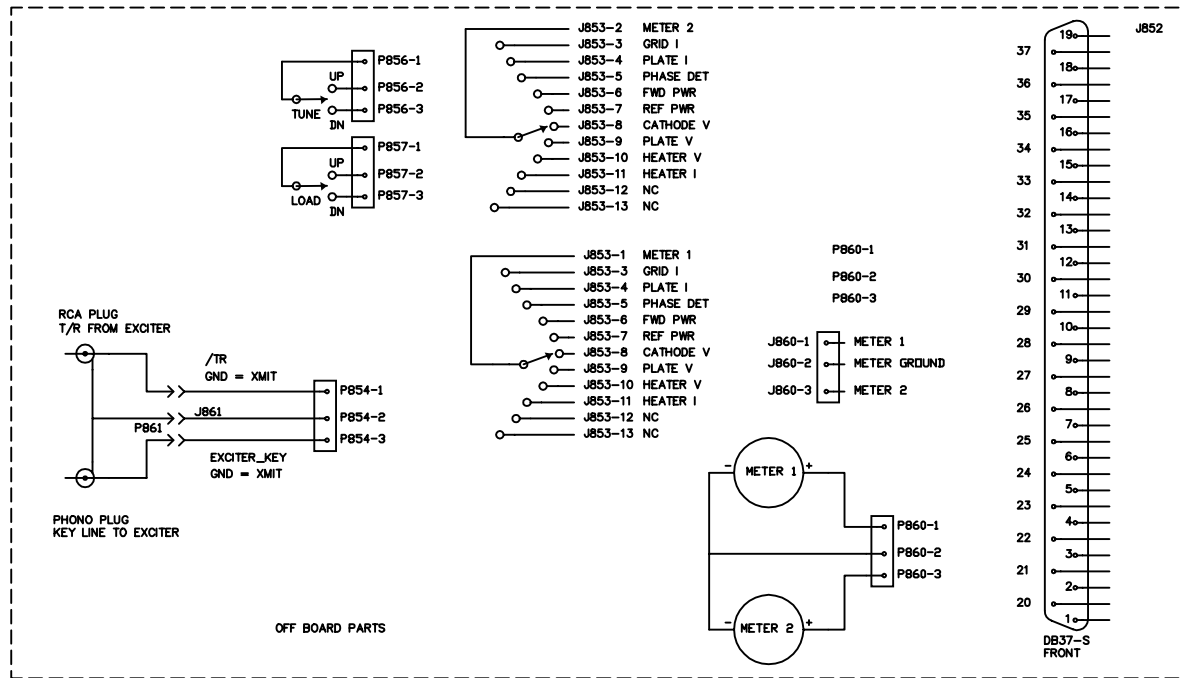
TOLERANCES		SCALE 1-1	DO NOT SCALE	FINISH	DRAWN BY	DATE 19 JAN 02				
		MATERIAL			CHECKED BY	DATE				
TITLE PHASE DETECTOR MODULE							DWG SZ A	SHEET 1 OF 1	DRAWING NUMBER PHASE DETECTOR SCH.DWG	REV

+5V
?

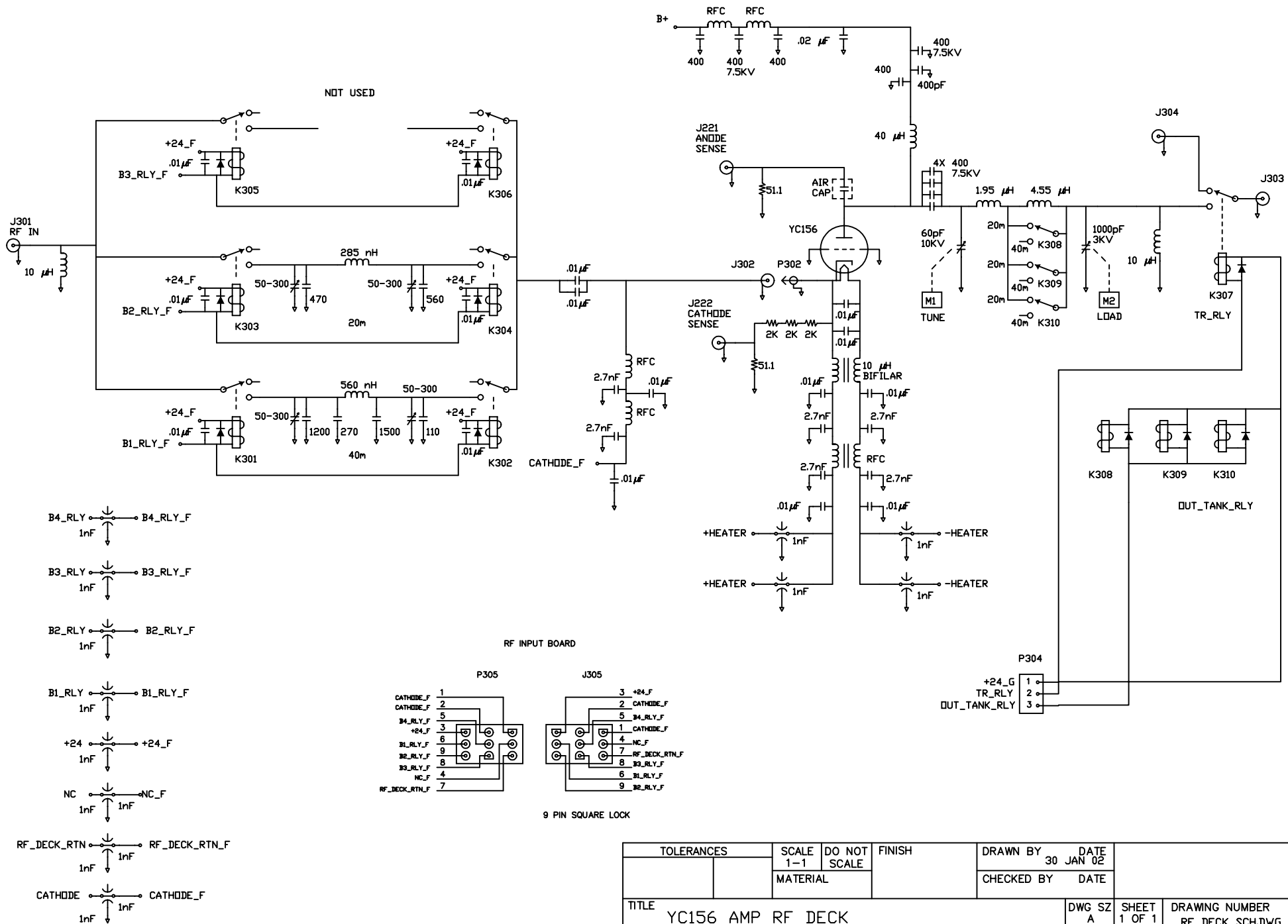


U850

LM339
U852



TOLERANCES	SCALE 1-1	DO NOT SCALE	FINISH	DRAWN BY	DATE			
		MATERIAL		16 MAY 02				
TITLE YC156 AMP REMOTE BOX				CHECKED BY	DATE			
DWG SZ A	SHEET 1 OF 1	DRAWING NUMBER REMOTE BOX SCH2.DWG	REV					

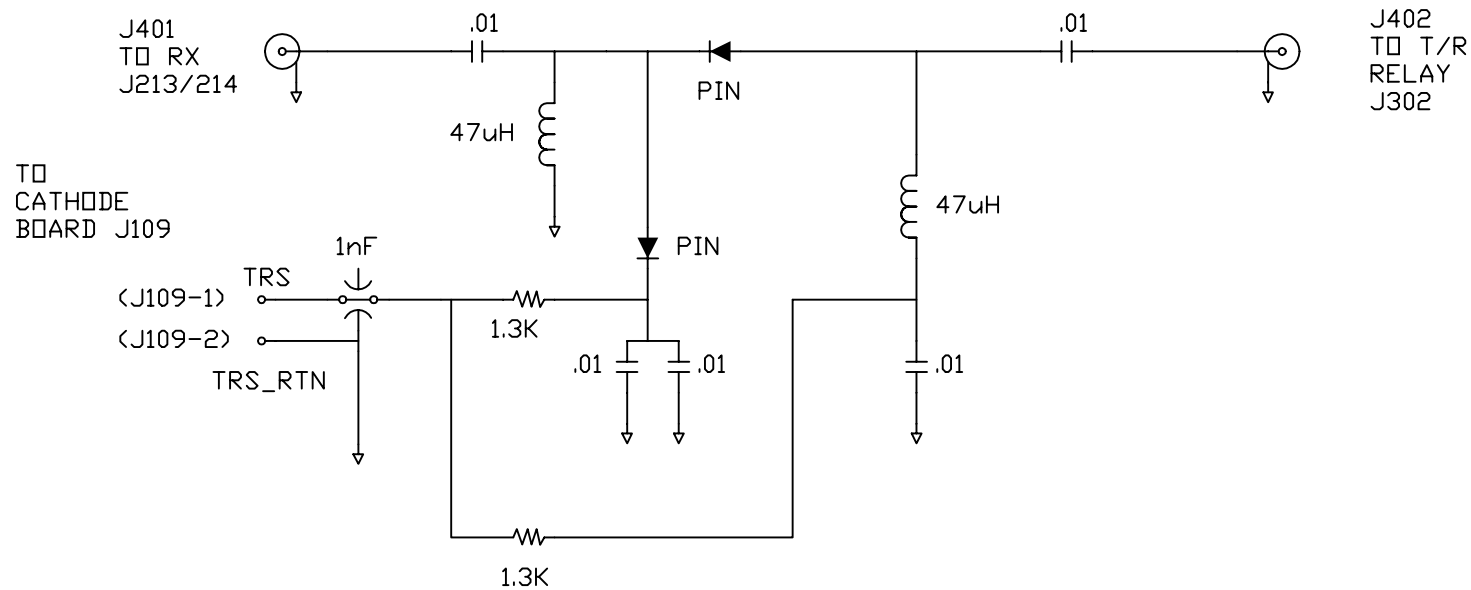


NOT USED

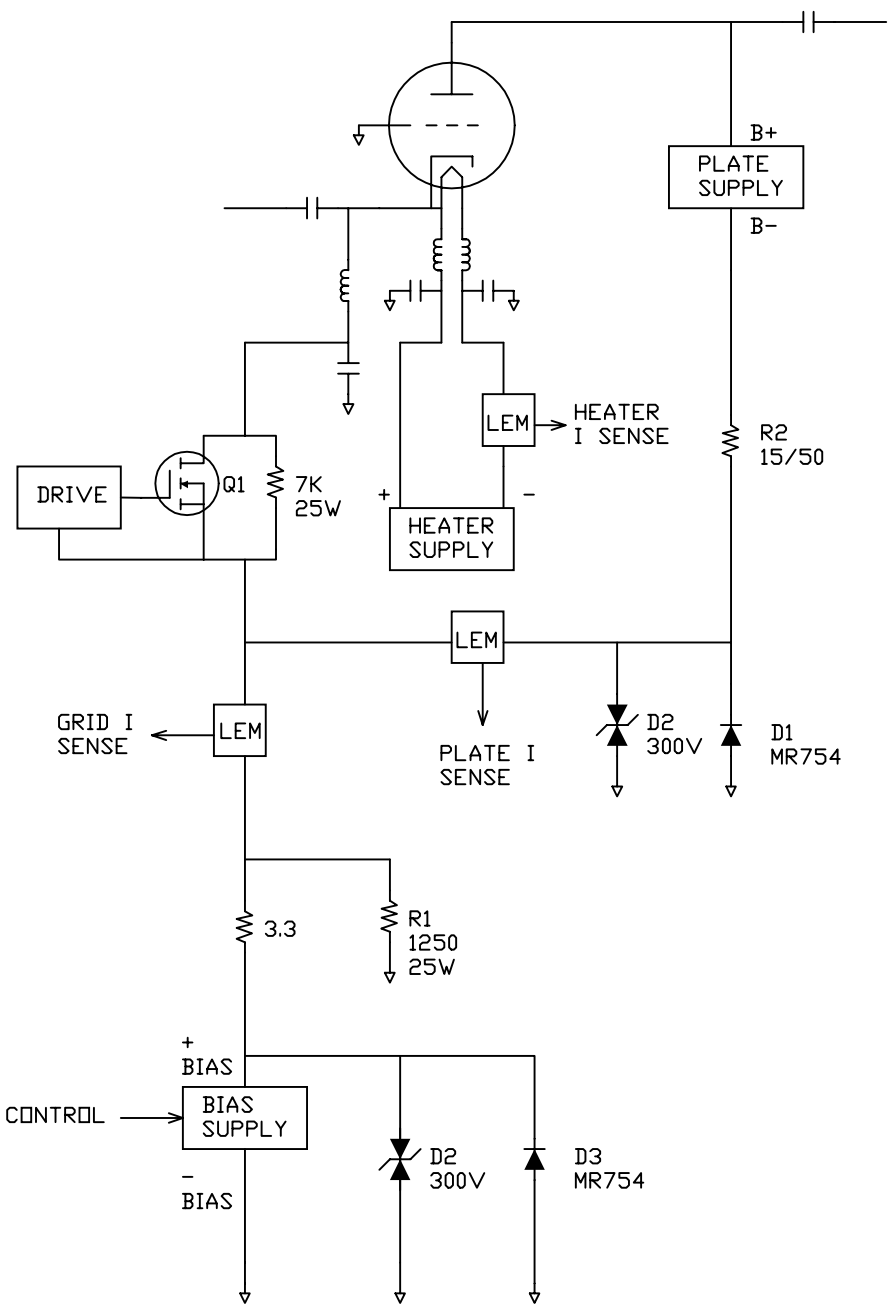
RF INPUT BOARD

9 PIN SQUARE LOCK

TOLERANCES	SCALE	DO NOT	FINISH	DRAWN BY	DATE				
	1-1	SCALE			30 JAN 02				
	MATERIAL			CHECKED BY	DATE				
TITLE						DWG SZ	SHEET	DRAWING NUMBER	REV
YC156 AMP RF DECK						A	1 OF 1	RF DECK SCH.DWG	



TOLERANCES		SCALE 1-1	DO NOT SCALE	FINISH	DRAWN BY 19 JAN 02	DATE				
		MATERIAL			CHECKED BY	DATE				
TITLE YC156 AMP T/R MODULE							DWG SZ A	SHEET 1 OF 1	DRAWING NUMBER TR MODULE SCH.DWG	REV



R2 LIMITS CURRENT FROM PLATE SUPPLY IN EVENT OF TUBE ARC OR OTHER PLATE CIRCUIT FAULT.

D1 PREVENTS TUBE CATHODE FROM SPIKING NEGATIVE IF TUBE ARCS FROM PLATE TO GRID.

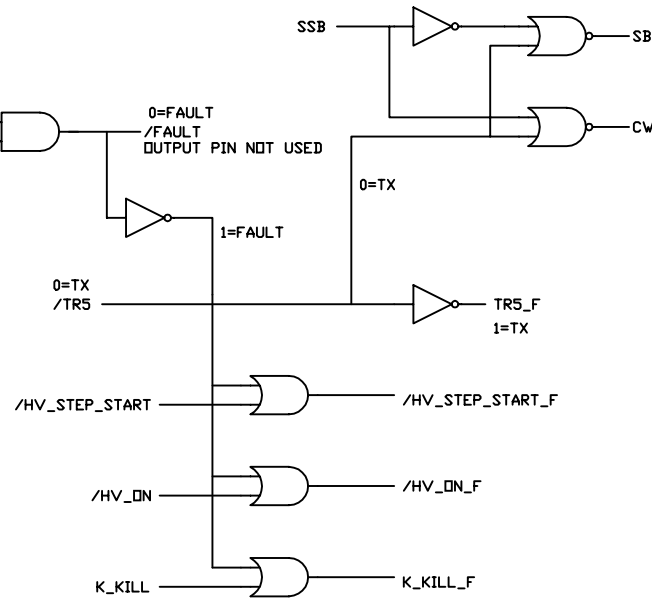
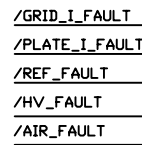
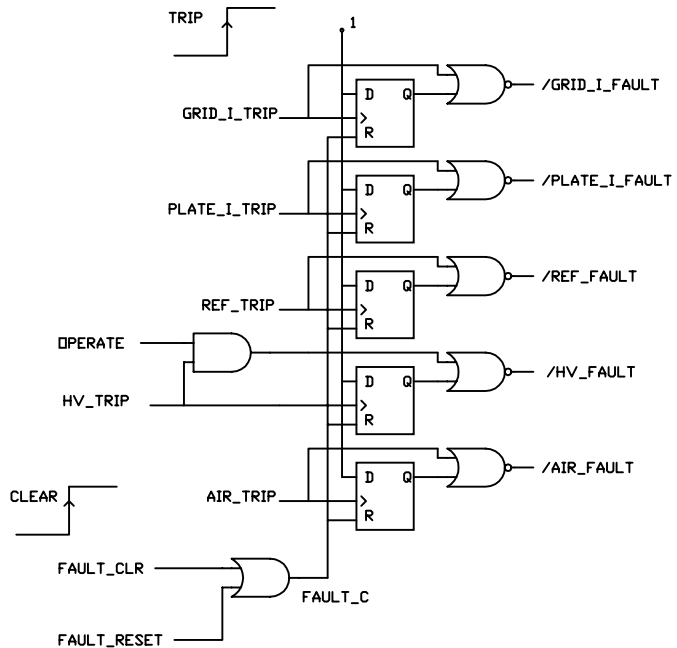
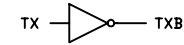
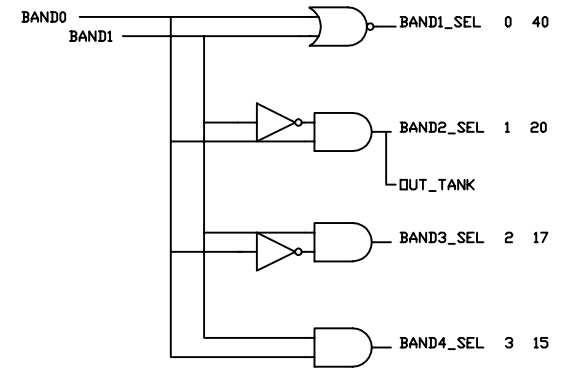
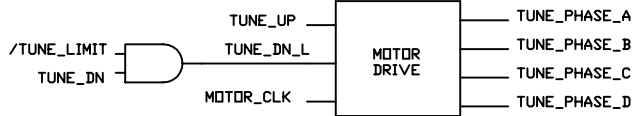
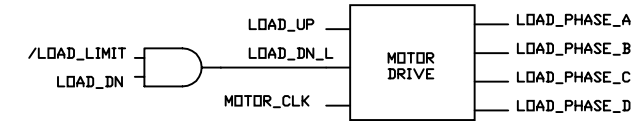
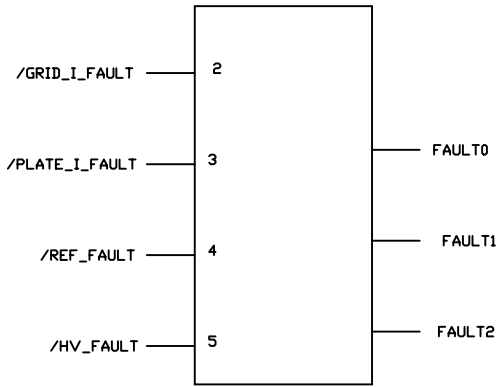
D2 AND D3 PROTECT BIAS SUPPLY FROM POSITIVE AND NEGATIVE TRANSIENTS.

EXCESSIVE GRID OR CATHODE CURRENT OPENS Q1

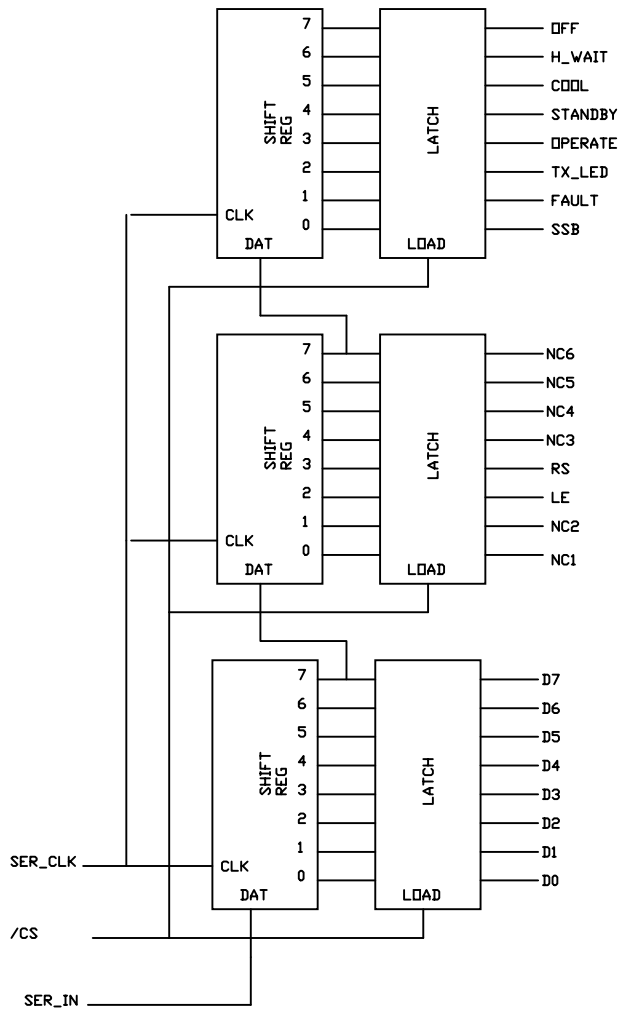
TOLERANCES	SCALE 1-1	DO NOT SCALE	FINISH	DRAWN BY 21 DEC 01	DATE
	MATERIAL			CHECKED BY	DATE
TITLE YC156 AMP TUBE/BIAS BLOCK				DWG SZ A	SHEET 1 OF 1
				DRAWING NUMBER TUBE_BLK.DWG	REV

NO FAULT = 1
 MULTIPLE FAULTS = 0

ALL FAULTS EXCEPT
 AIR VALID ONLY
 IN OPERATE



TOLERANCES		SCALE	DO NOT SCALE	FINISH	DRAWN BY	DATE				
		1-1			23 NOV 01					
		MATERIAL			CHECKED BY	DATE				
TITLE YC156 AMP CPLD							DWG SZ	SHEET	DRAWING NUMBER	REV
							A	1 OF 1	YC CPLD1.DWG	



TOLERANCES		SCALE 1-1	DO NOT SCALE	FINISH	DRAWN BY	DATE 06 MAY 01				
		MATERIAL			CHECKED BY	DATE				
TITLE DISPLAY BOARD CPLD							DWG SZ A	SHEET 1 OF 1	DRAWING NUMBER YC DISP CPLD.DWG	REV