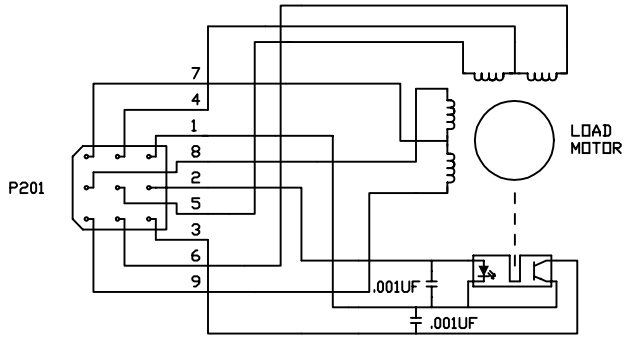
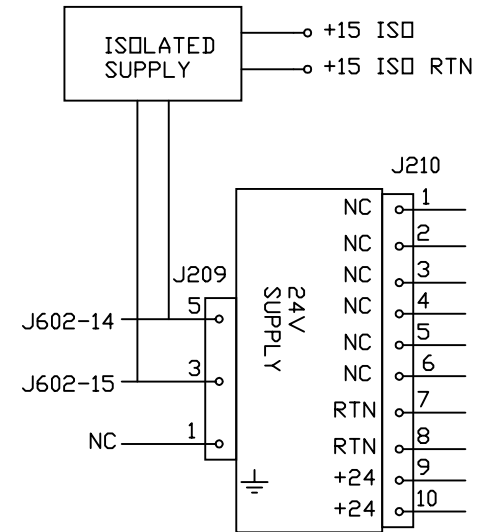
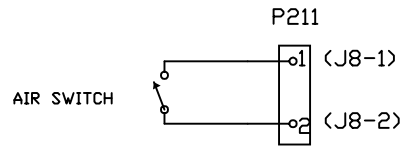
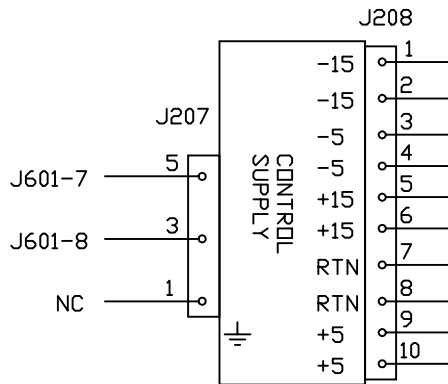
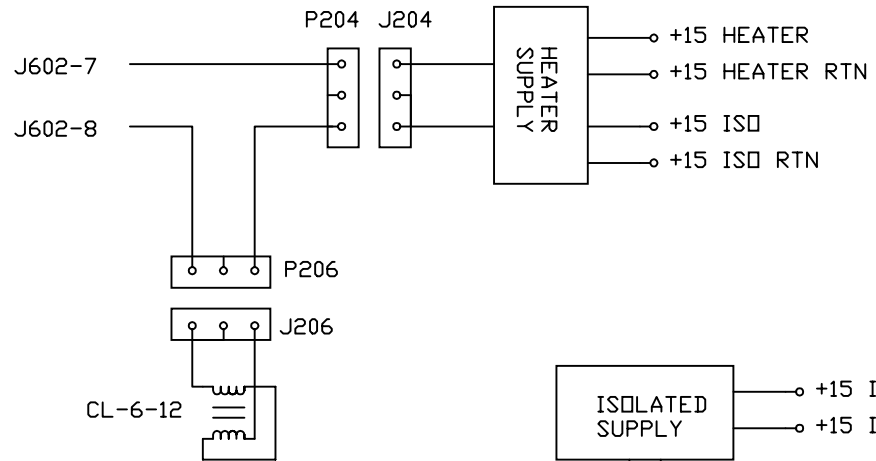
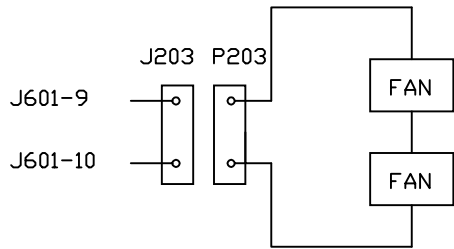
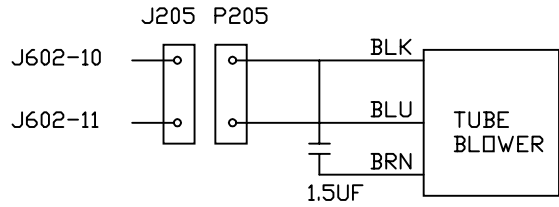
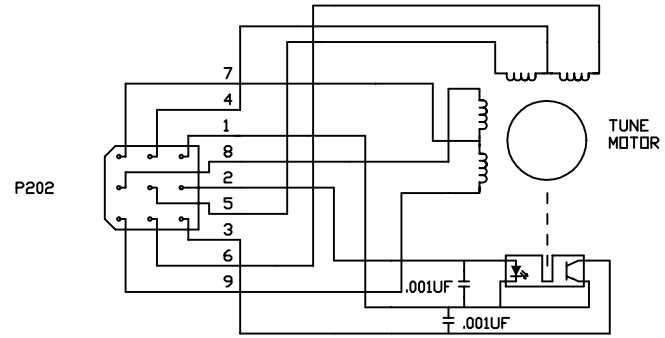


- 1 BRN
- 2 VID
- 3 DRG
- 4 BLK
- 5 RED
- 6 WHT-RED
- 7 WHT
- 8 GRN
- 9 WHT-GRN



- 1 BRN
- 2 VID
- 3 DRG
- 4 BLK
- 5 RED
- 6 WHT-RED
- 7 WHT
- 8 GRN
- 9 WHT-GRN



TOLERANCES	SCALE 1-1	DO NOT SCALE	FINISH	DRAWN BY	DATE 12 JAN 02			
	MATERIAL			CHECKED BY	DATE			
TITLE YC156 AMP CHASSIS MOUNTED PARTS				DWG SZ A	SHEET 1 OF 1	DRAWING NUMBER CHASSIS SCH.DWG	REV	