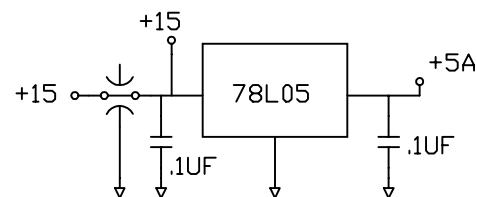
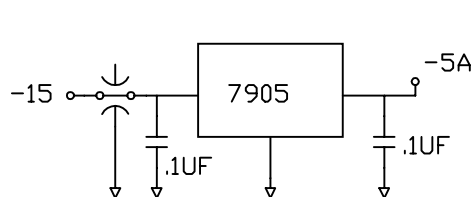
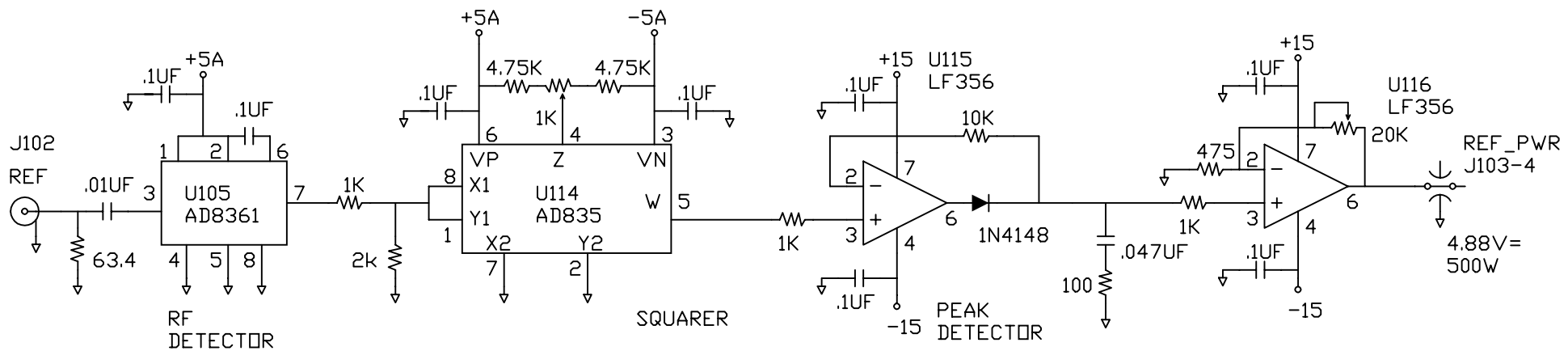


FROM  
COUPLERS



SHIELD BOX

TOLERANCES	SCALE 1-1	DO NOT SCALE	FINISH	DRAWN BY 23 SEPT 02	DATE
	MATERIAL			CHECKED BY	DATE
TITLE YC156 AMP FWD, REF RF DETECTORS				DWG SZ A	SHEET 1 OF 1
				DRAWING NUMBER CATHODE BOARD 1	REV SCH.DWG