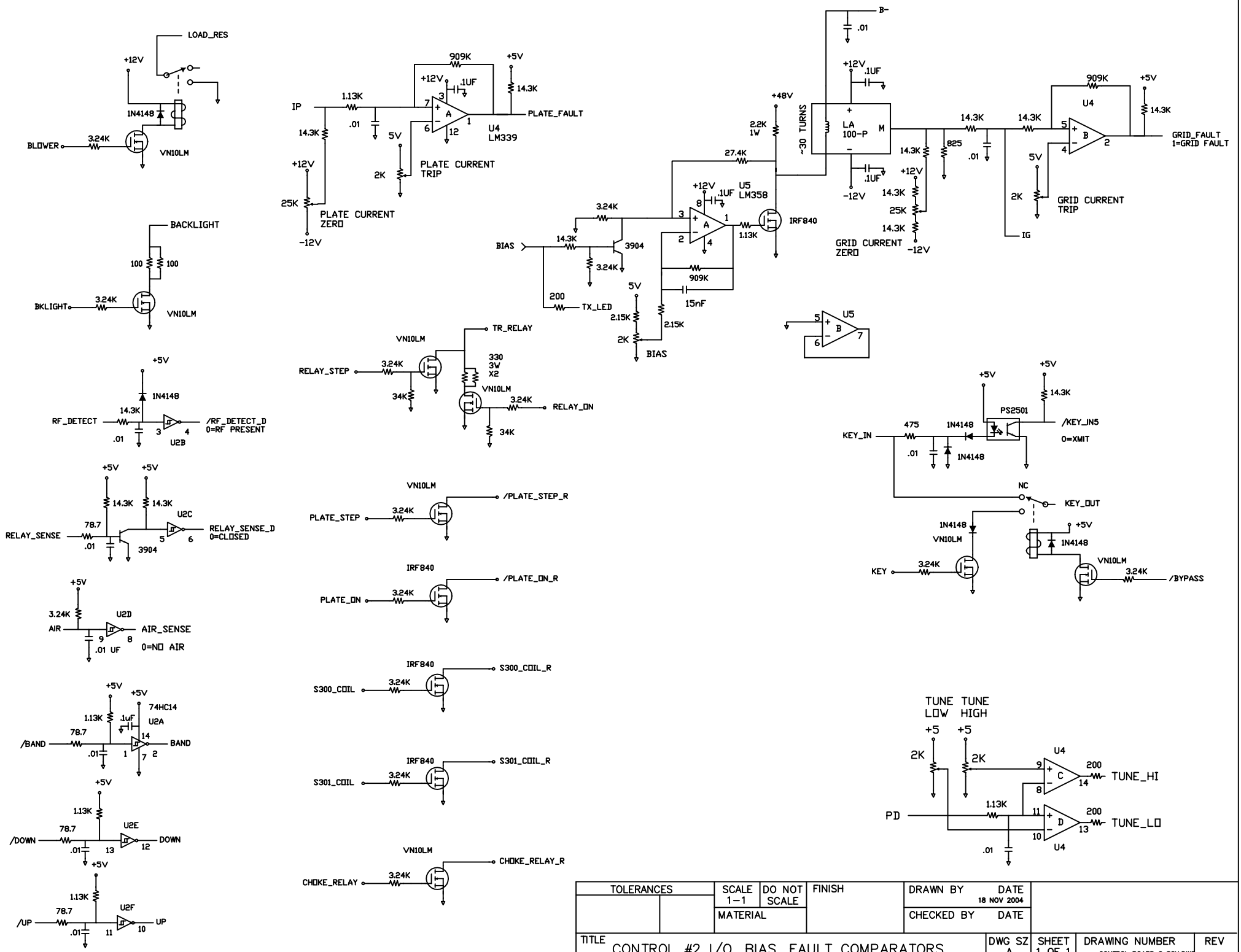
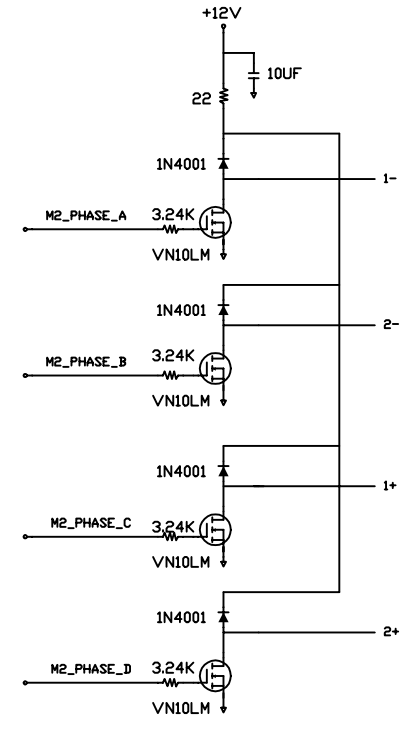
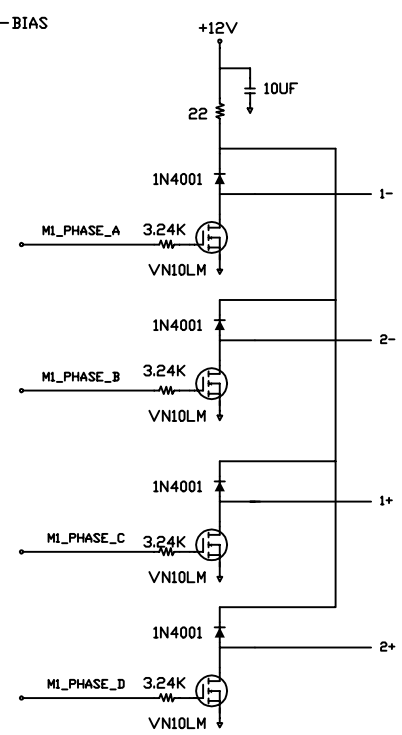
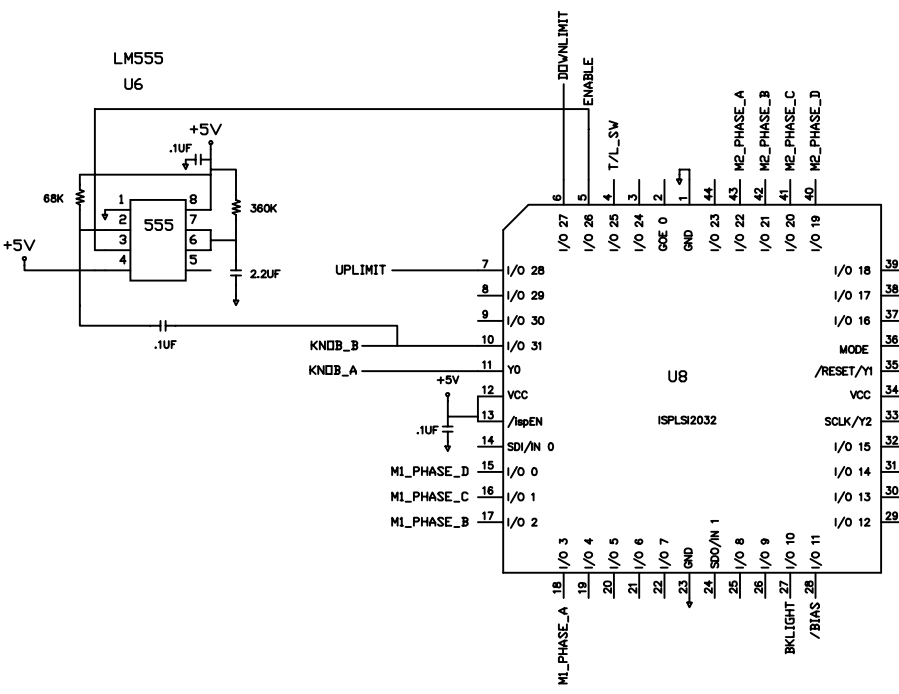
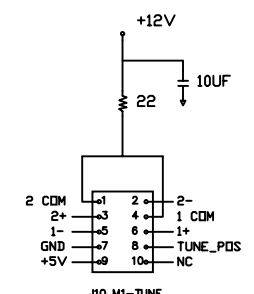
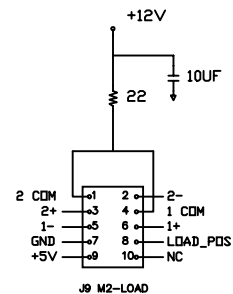
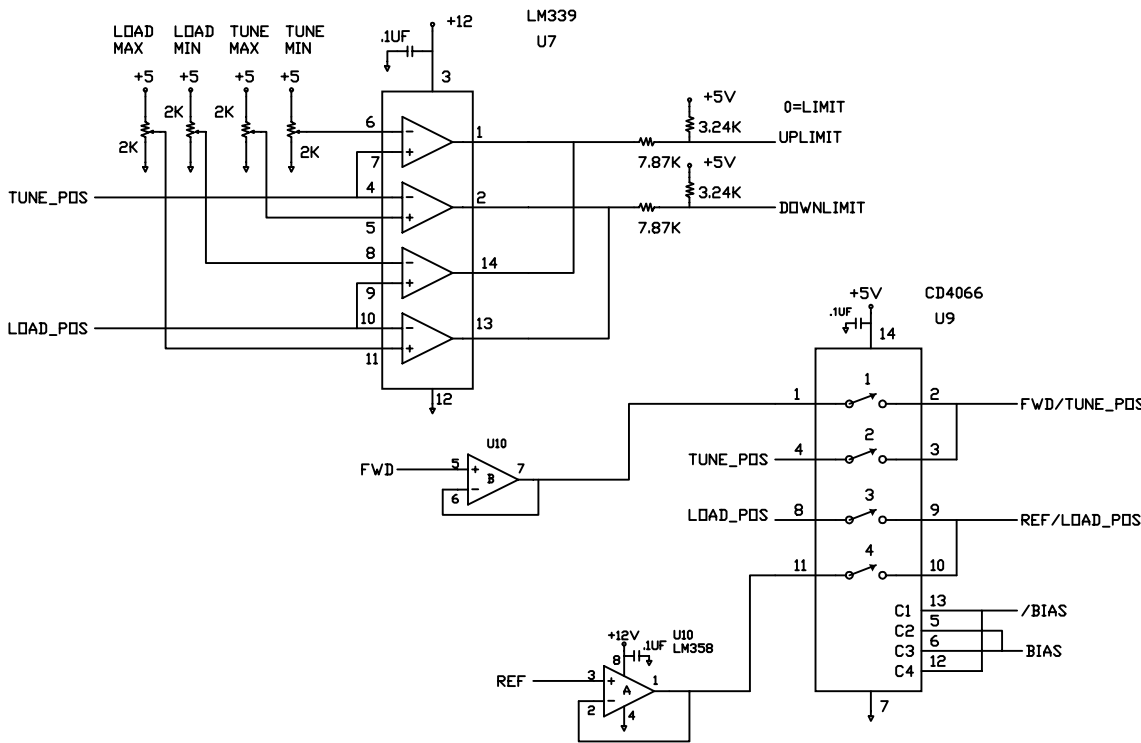


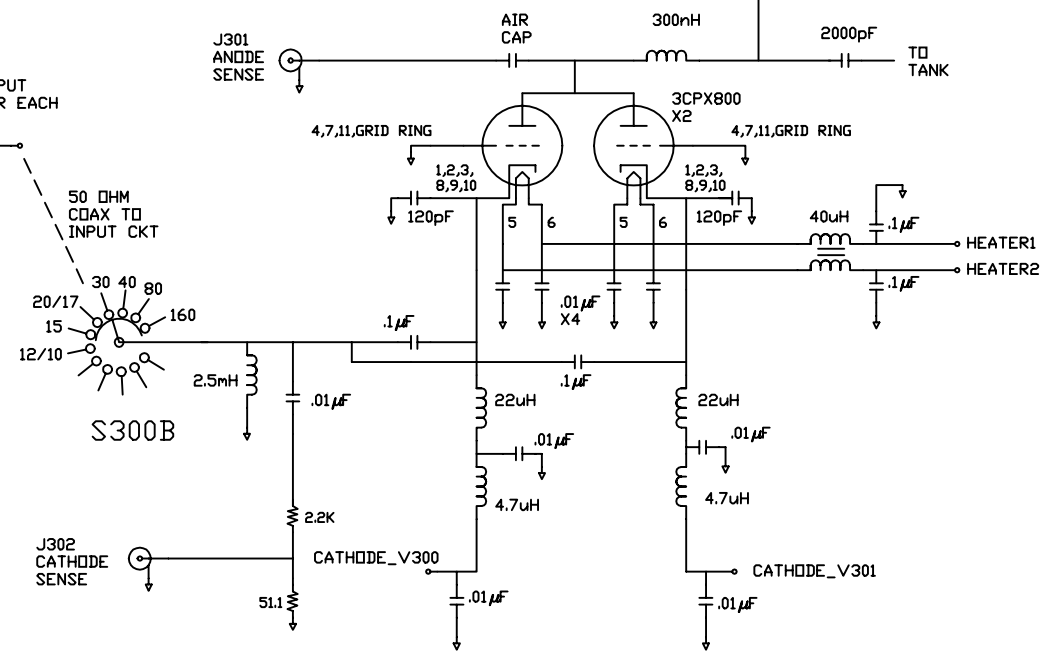
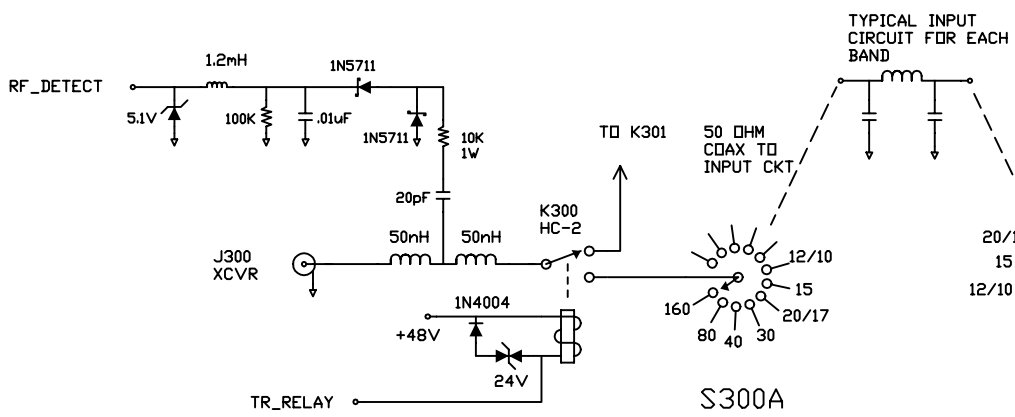
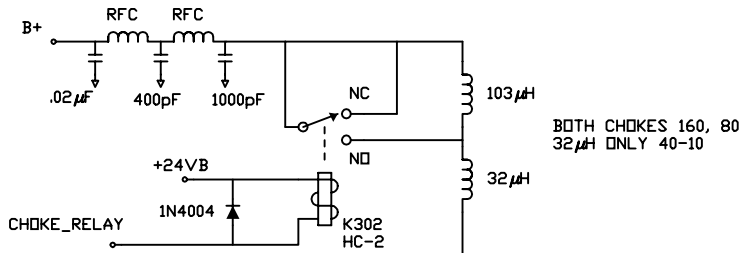
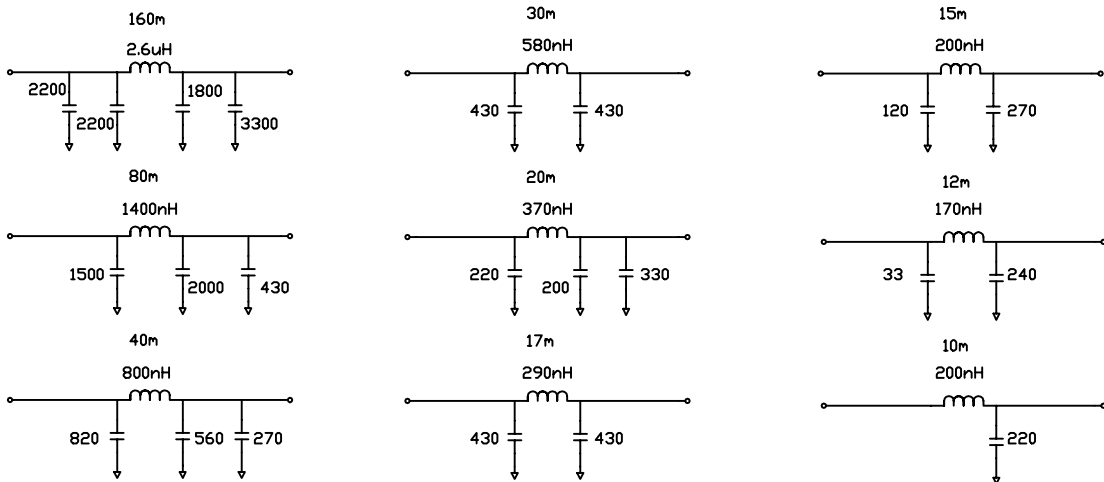
TOLERANCES	SCALE	DO NOT	FINISH	DRAWN BY	DATE	SHEET	DRAWING NUMBER	REV
	1-1	SCALE		CHECKED BY	23 NOV 2004			
TITLE						DWG SZ		
CONTROL #1 PROCESSOR AND CONNECTORS						A		



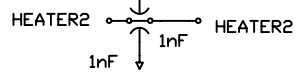
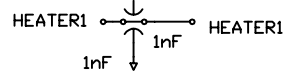
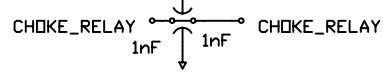
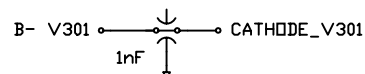
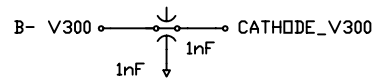
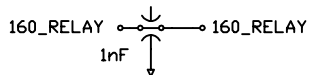
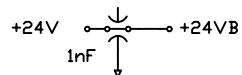
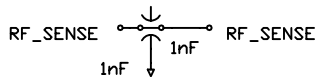
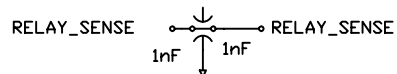
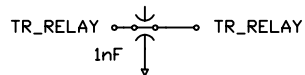
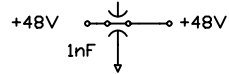
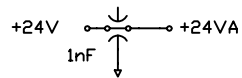
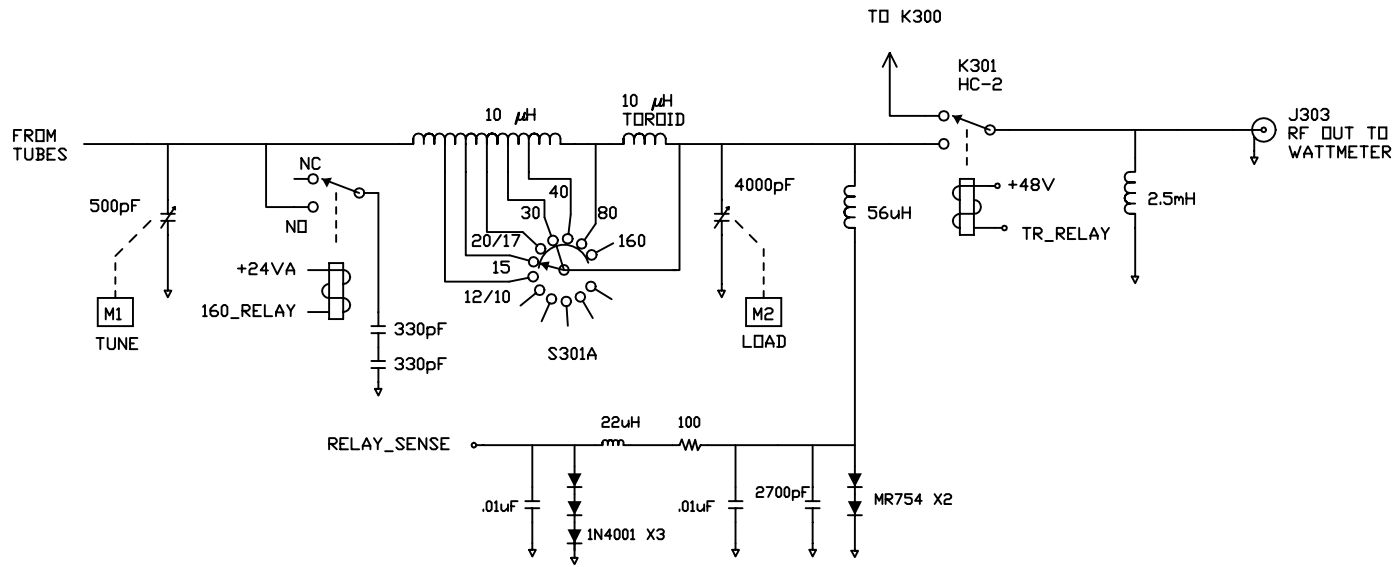
TOLERANCES	SCALE	DO NOT	FINISH	DRAWN BY	DATE			
	1-1	SCALE			18 NOV 2004			
	MATERIAL			CHECKED BY	DATE			
TITLE CONTROL #2 I/O, BIAS, FAULT COMPARATORS						DWG SZ	SHEET	DRAWING NUMBER
						A	1 OF 1	CONTROL BOARD 2 SCH.DWG
								REV



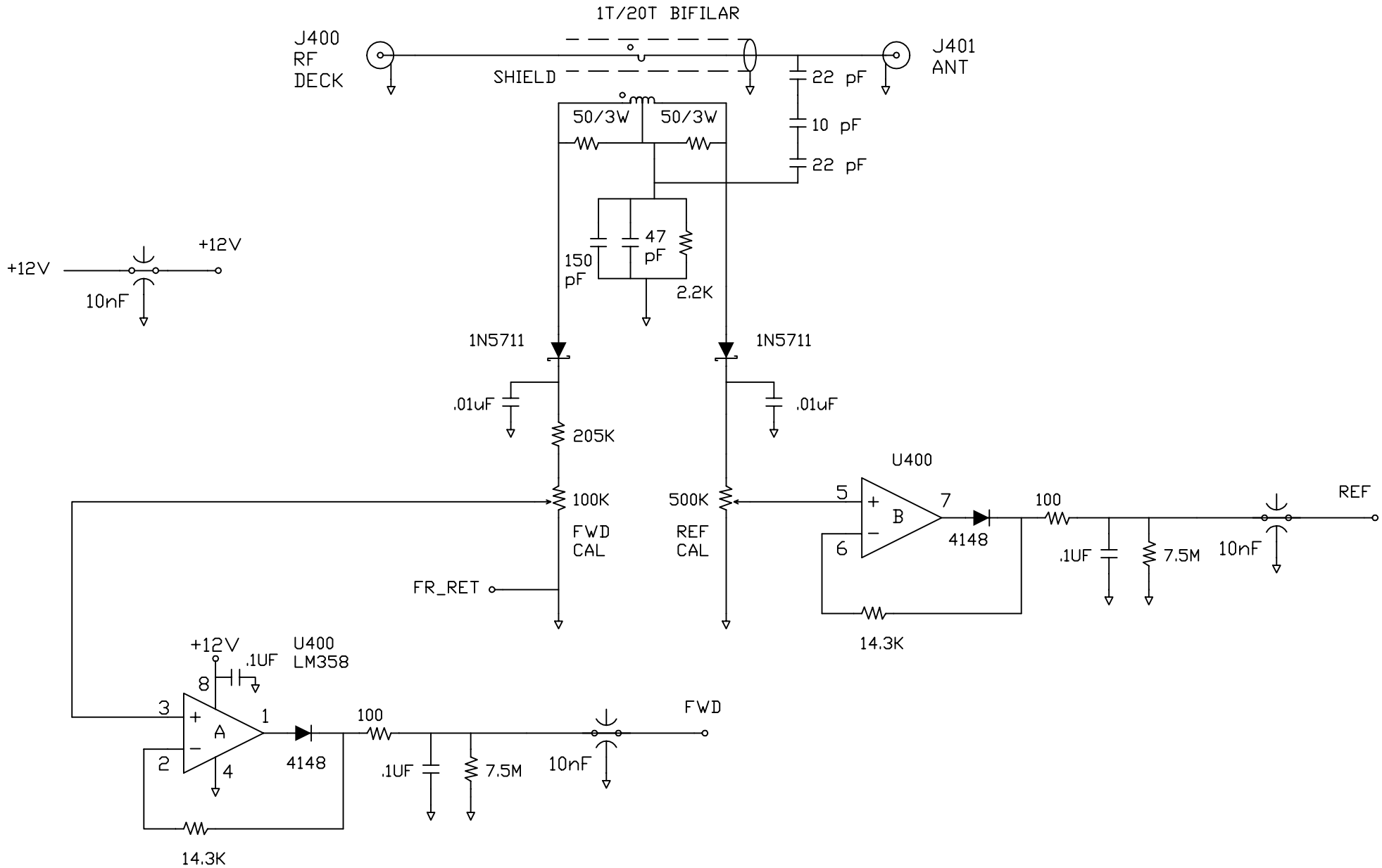
TOLERANCES	SCALE 1-1	DO NOT SCALE	FINISH	DRAWN BY 23 NOV 2004	DATE
	MATERIAL			CHECKED BY	DATE
TITLE CONTROL #3 MOTORS				DWG SZ A	SHEET 1 OF 1
				DRAWING NUMBER CONTROL BOARD 3 SCH.DWG	REV



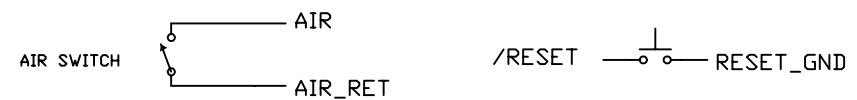
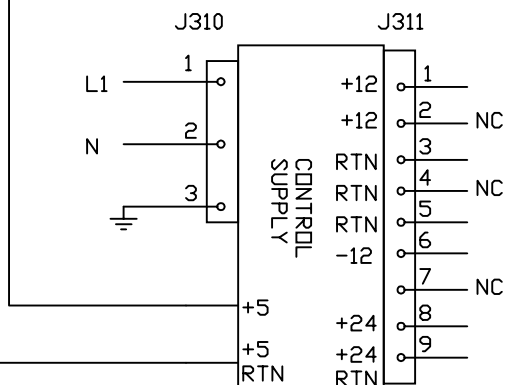
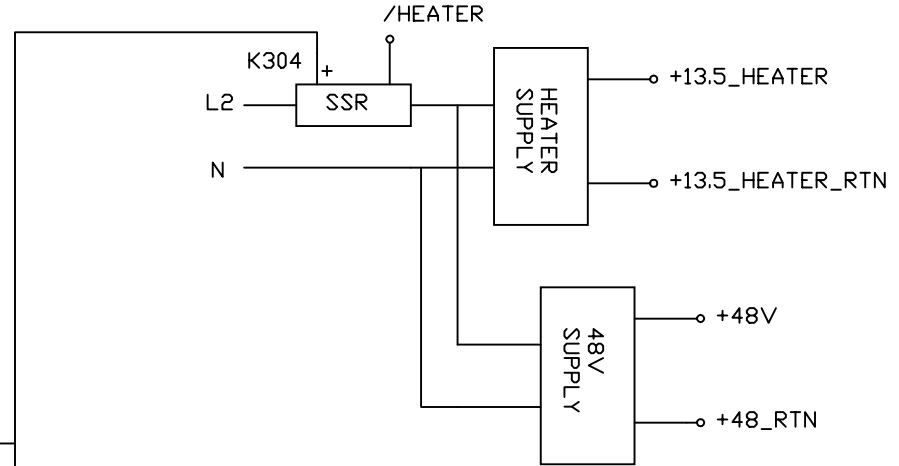
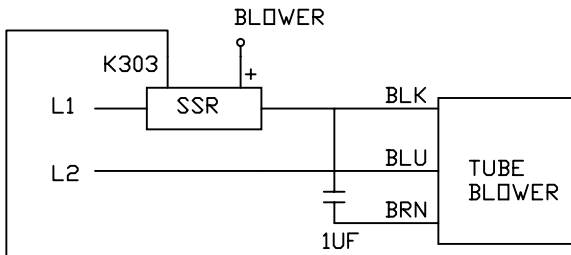
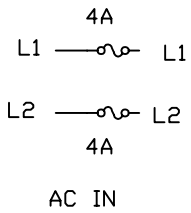
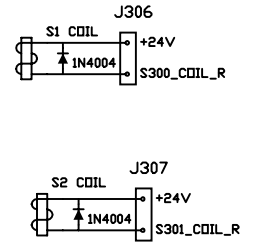
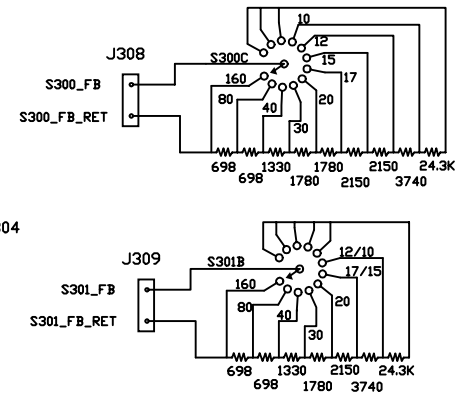
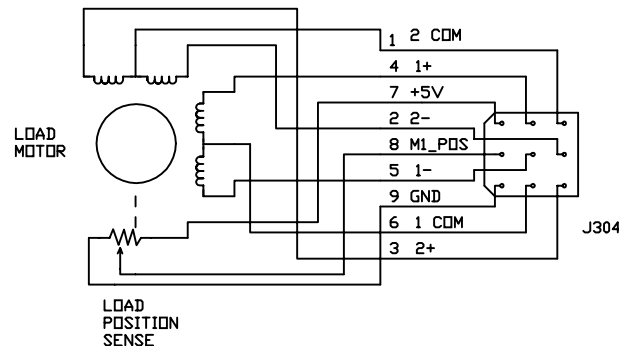
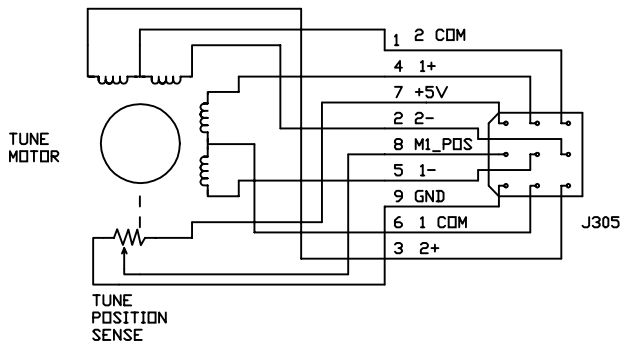
TOLERANCES	SCALE 1-1	DO NOT SCALE	FINISH	DRAWN BY 9 NDV	DATE 2004				
	MATERIAL			CHECKED BY	DATE				
TITLE RF DECK #1 TUBES, INPUT CKTS						DWG SZ A	SHEET 1 OF 1	DRAWING NUMBER RF SCH 1.DWG	REV



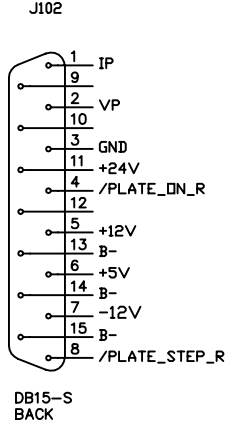
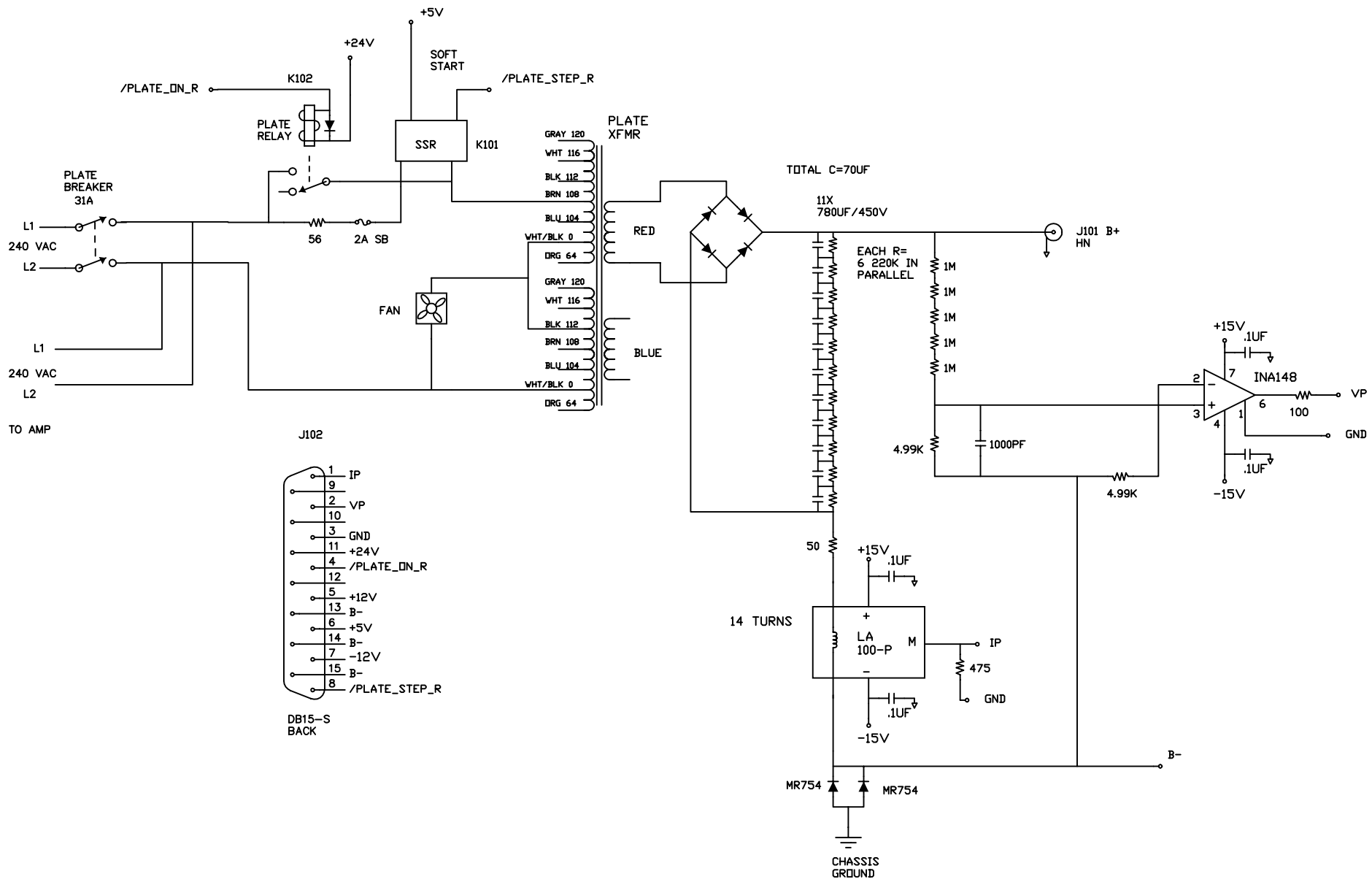
TOLERANCES		SCALE	DO NOT	FINISH	DRAWN BY	DATE				
		1-1	SCALE		8 NOV	2004				
		MATERIAL			CHECKED BY	DATE				
TITLE							DWG SZ	SHEET	DRAWING NUMBER	REV
RF DECK #2 OUTPUT TANK							A	1 OF 1	RF SCH 2.DWG	



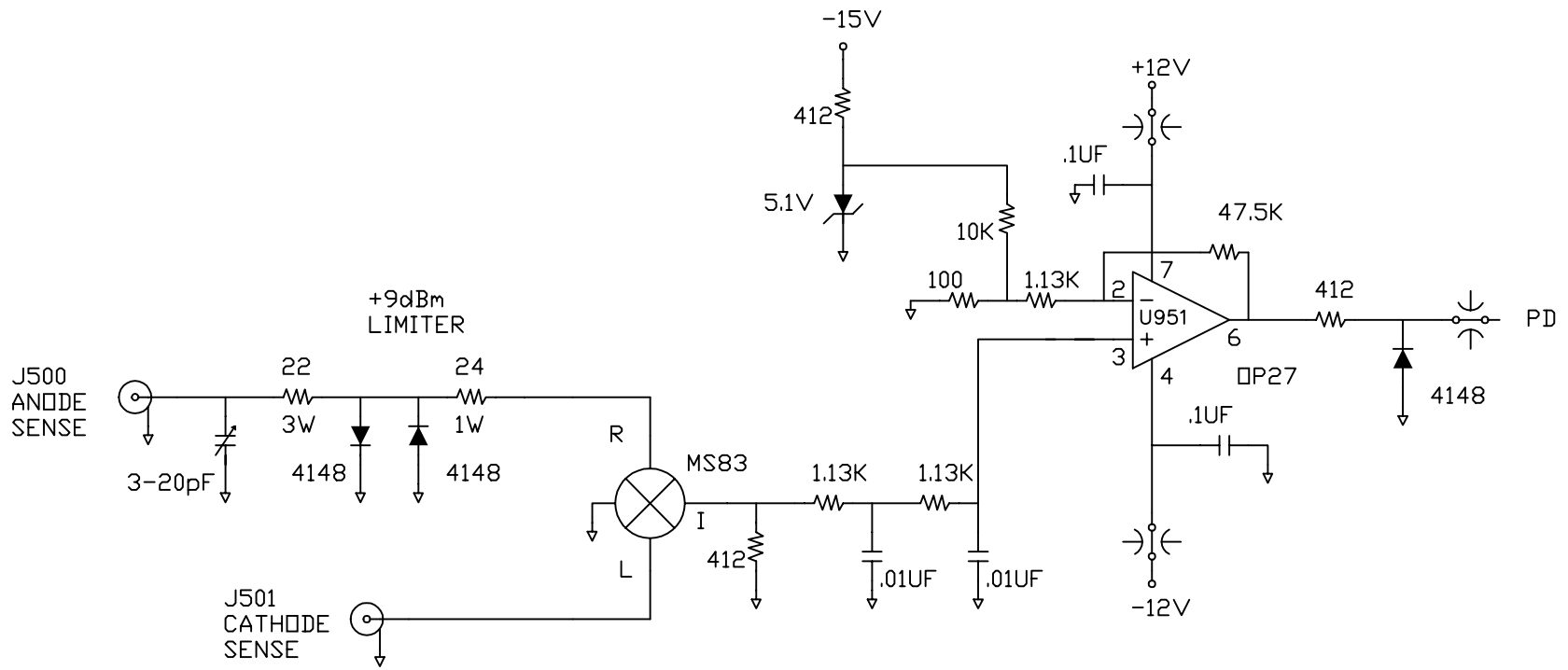
TOLERANCES		SCALE	DO NOT	FINISH	DRAWN BY	DATE				
		1-1	SCALE			23 NOV 2004				
		MATERIAL			CHECKED BY	DATE				
TITLE							DWG SZ	SHEET	DRAWING NUMBER	REV
DIRECTIONAL COUPLER							A	1 OF 1	COUPLER.DWG	



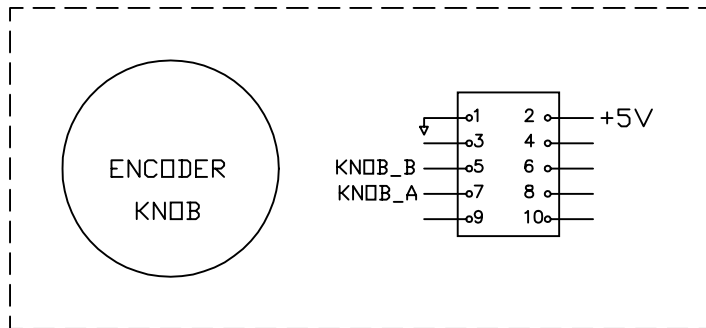
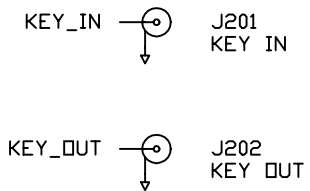
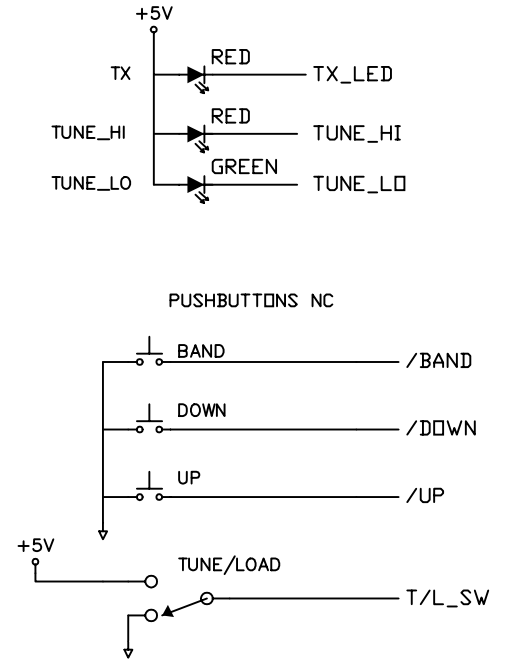
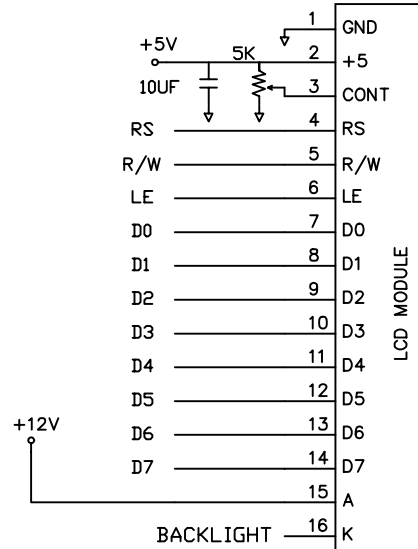
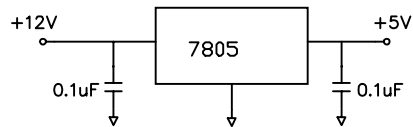
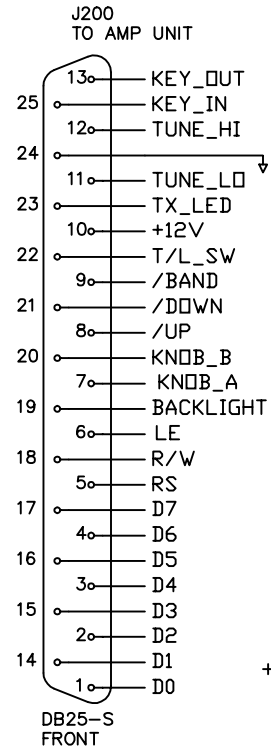
TOLERANCES	SCALE 1-1	DO NOT SCALE	FINISH	DRAWN BY 29 AUG 04	DATE
	MATERIAL			CHECKED BY	DATE
TITLE CHASSIS MOUNTED PARTS				DWG SZ A	SHEET 1 OF 1
				DRAWING NUMBER CHASSIS SCH.DWG	REV



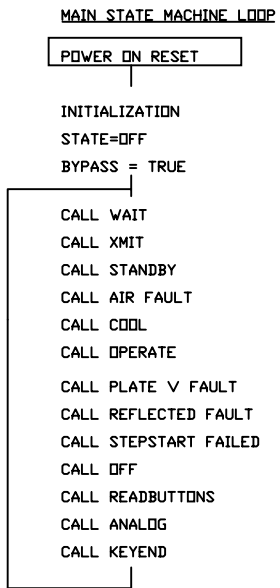
TOLERANCES	SCALE 1-1	DO NOT SCALE	FINISH	DRAWN BY DATE 22 JUNE 2004
	MATERIAL			CHECKED BY DATE
TITLE HV POWER SUPPLY				DWG SZ A
				SHEET 1 OF 1
				DRAWING NUMBER HVPS SCH.DWG
				REV



TOLERANCES	SCALE 1-1	DO NOT SCALE	FINISH	DRAWN BY	DATE 22 JULY 04
	MATERIAL			CHECKED BY	DATE
TITLE PHASE DETECTOR				DWG SZ A	SHEET 1 OF 1
				DRAWING NUMBER PHASE DETECTOR SCH.DWG	REV

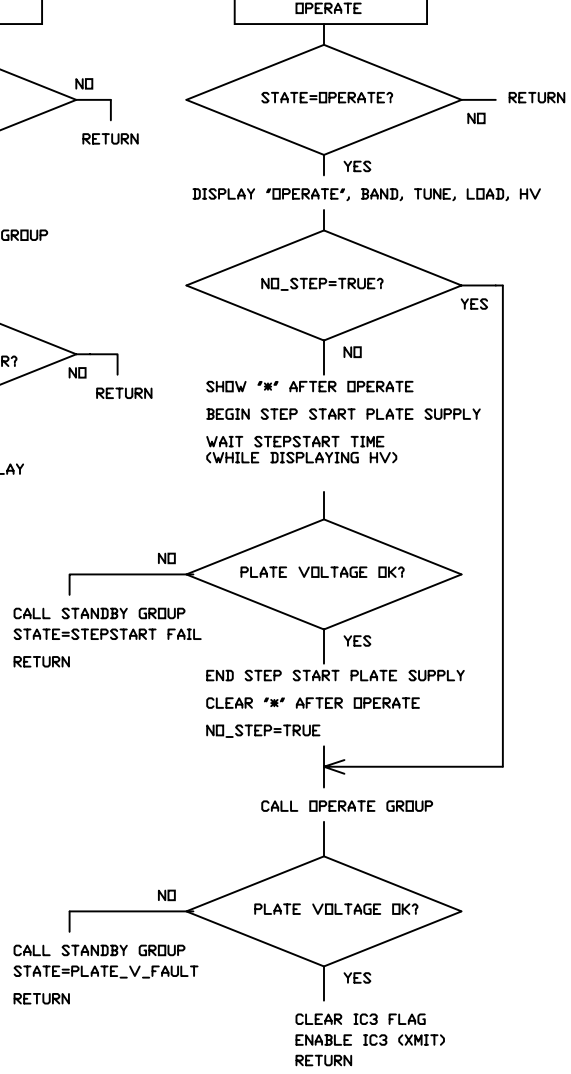
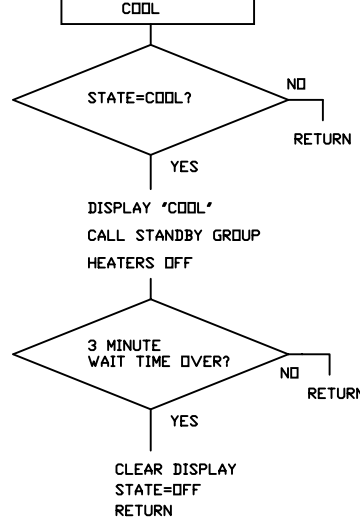
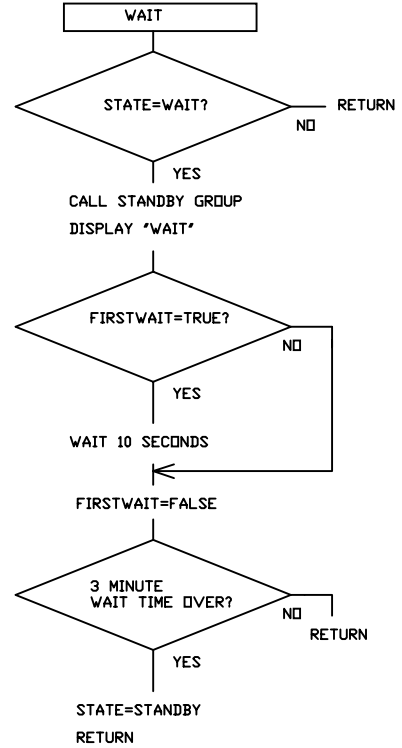
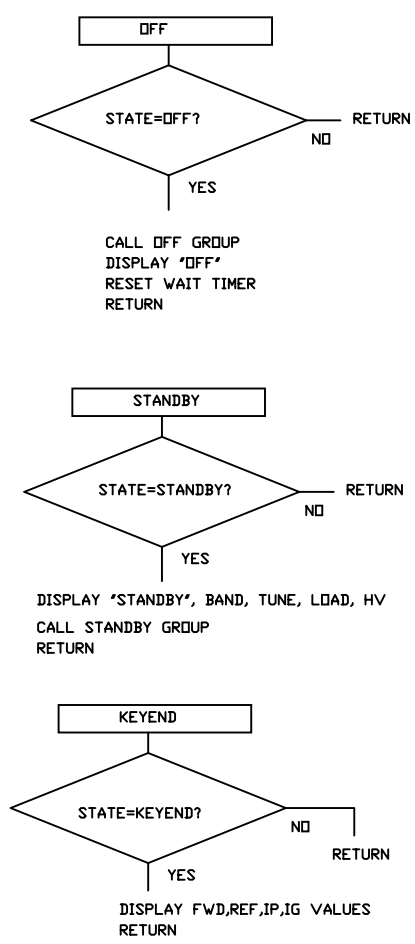


TOLERANCES	SCALE 1-1	DO NOT SCALE	FINISH	DRAWN BY 18 NOV 04	DATE
	MATERIAL			CHECKED BY	DATE
TITLE REMOTE CONTROL BOX				DWG SZ A	SHEET 1 OF 1
				DRAWING NUMBER REMOTE BOX SCH.DWG	REV

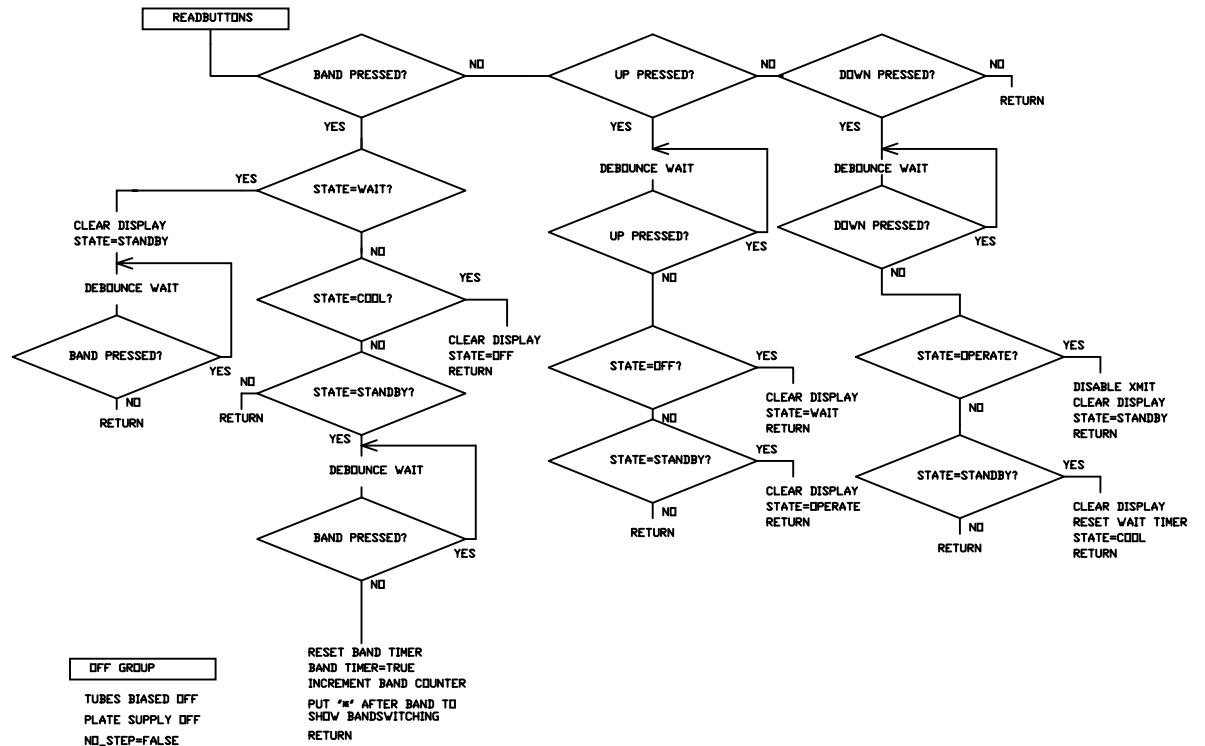
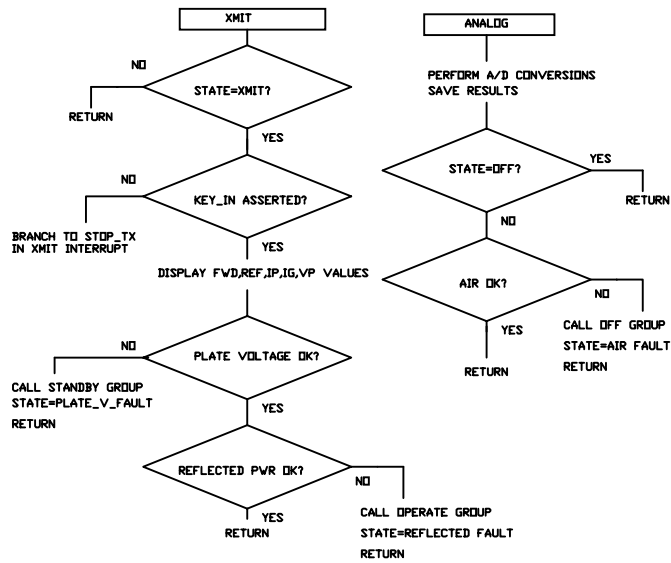


STATE VARIABLES

NO_STEP
WAIT
OPERATE
XMIT
STANDBY
AIR FAULT
COOL
REFLECTED FAULT
STEPSTART FAILED
PLATE V FAULT
BAND TIMER
KEYEND
KICKSTART
OFF
FIRST_WAIT



TOLERANCES		SCALE 1-1	DO NOT SCALE	FINISH	DRAWN BY	DATE 12 NOV 04			
		MATERIAL			CHECKED BY	DATE			
TITLE FIRMWARE FLOWCHART #1						DWG SZ A	SHEET 1 OF 1	DRAWING NUMBER FLOW1.DWG	REV



STANDBY GROUP

TUBES BIASED OFF
 PLATE SUPPLY OFF
 NO_STEP=FALSE
 RELAYS TO RX(THRU MODE)
 HEATER ON
 BLOWER ON
 BYPASS=TRUE
 CHOKE_RELAY OFF
 RETURN

OPERATE GROUP

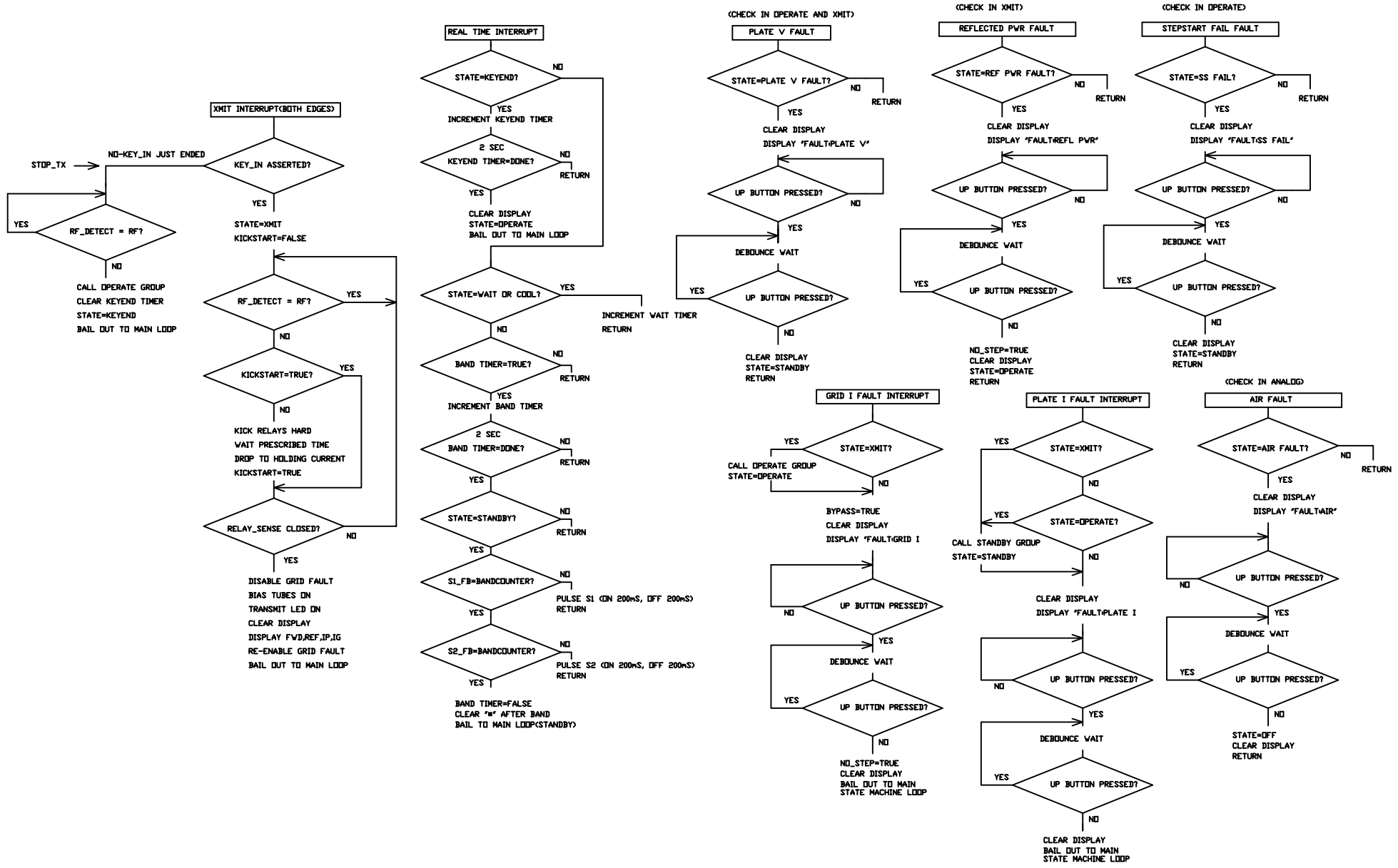
TUBES BIASED OFF
 RELAYS TO RX(THRU MODE)
 HEATER ON
 BLOWER ON
 CHOKE_RELAY ON/OFF AS NEEDED
 BYPASS=FALSE
 RETURN

OFF GROUP

TUBES BIASED OFF
 PLATE SUPPLY OFF
 NO_STEP=FALSE
 RELAYS TO RX(THRU MODE)
 BLOWER OFF
 CHOKE_RELAY OFF
 HEATERS OFF
 BYPASS=TRUE
 FIRSTWAIT=TRUE
 RETURN

RESET BAND TIMER
 BAND TIMER=TRUE
 INCREMENT BAND COUNTER
 PUT "m" AFTER BAND TO
 SHOW BANDSWITCHING
 RETURN

TOLERANCES		SCALE 1-1	DO NOT SCALE	FINISH	DRAWN BY 12 NOV 04	DATE	
		MATERIAL			CHECKED BY	DATE	
TITLE FIRMWARE FLOWCHART #2					DWG SZ A	SHEET 1 OF 1	DRAWING NUMBER FLOW2.DWG
							REV



TOLERANCES		SCALE	DO NOT	FINISH	DRAWN BY	DATE			
		1-1	SCALE			12 NOV 04			
		MATERIAL			CHECKED BY	DATE			
TITLE FIRMWARE FLOWCHART #3						DWG SZ	SHEET	DRAWING NUMBER	REV
						A	1 OF 1	FLOW3.DWG	